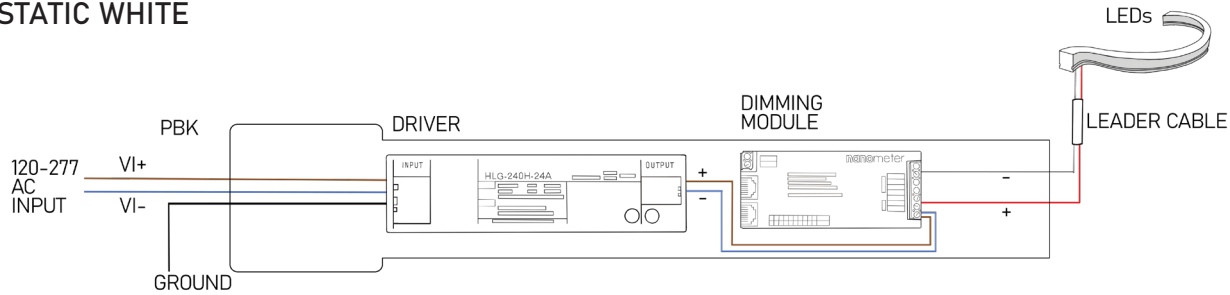


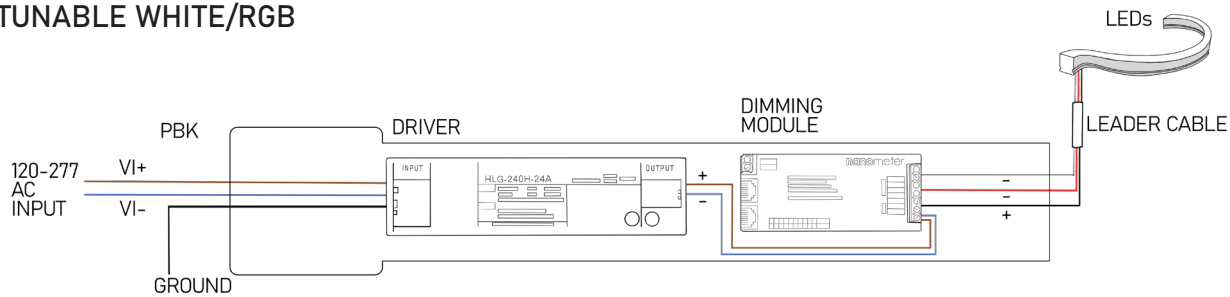
nanoflex

WIRING DIAGRAMS

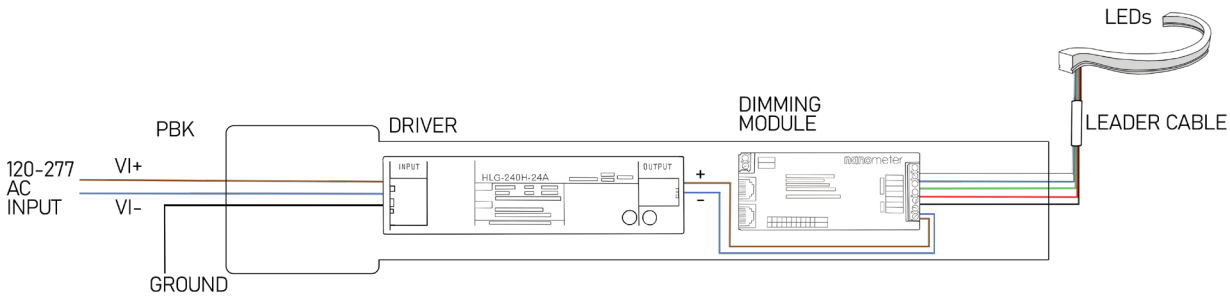
STATIC WHITE



TUNABLE WHITE/RGB

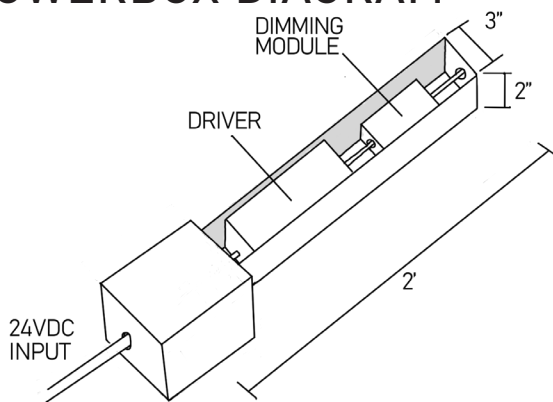


RGBW



Refer to NanoControls Spec Sheets for Pixel Controlled wiring diagrams.

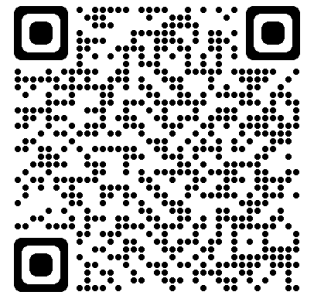
POWERBOX DIAGRAM



Wire Size (AWG)	Distance (ft.)
18	25
14	50
10	100

Data based on a Class 2 load.

Provided standard 10' 18 AWG leader.
Driver can be remoted at various maximum distance.
Distance will vary with load; please verify before release.



Learn more about the NanoFlex product family at nanoltg.com.