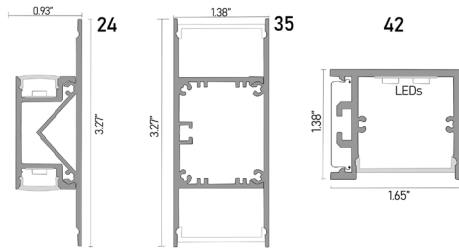
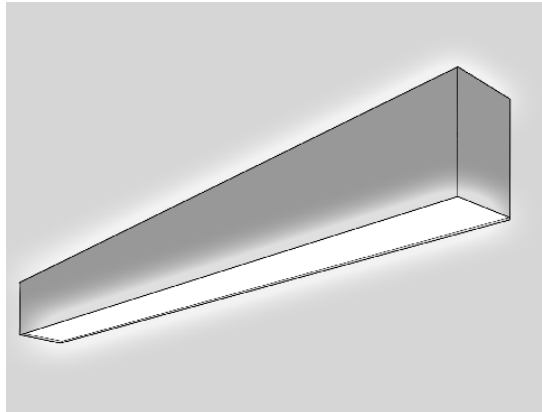


TYPE



PROJECT NAME

nanoline

NanoLine Wall

The NanoLine Wall is a wall-mounted system of direct and indirect lighting, available in static, tunable, RGB, and RGBW as well as a variety of outputs and kelvin temperatures. Multiple dimming options, including the NanoControls discrete pixel control system, are also available. Direct and indirect lens options allow for custom lighting effects, and the back or end feed options allow for continuous, uninterrupted runs.



CONFIGURATION

SAMPLE ORDER CODE:
NL-W-35-T-40-SO-O-C4-40-E0-0-72-P1-2-NC-BK

SERIES	TYPE	DIRECT LED TYPE	DIRECT LED CCT	DIRECT OUTPUT	DIRECT LENS	INDIRECT LED TYPE	INDIRECT LED CCT	INDIRECT OUTPUT	INDIRECT LENS							
NL-W	24 1.93" Direct and indirect	S STATIC WHITE	27	2700K	E0 ECONOMY	O OPAL	S STATIC WHITE	27	2700K	E0 ECONOMY	O OPAL					
			30	3000K				30	3000K							
			35	3500K				35	3500K							
			40	4000K				40	4000K							
			50	5000K				50	5000K							
	35 1.37" Direct and indirect	T TUNABLE WHITE	27-65 2700-6500K others available		MO MEDIUM	C CLEAR	T TUNABLE WHITE	27-65 2700-6500K others available		MO MEDIUM	C CLEAR					
			42 1.65" Direct only. Provide blanks (*-- in part number for indirect info fields).	C3				RGB	HO HIGH			C3	RGB	HO HIGH		
				Only available in Economy and Standard output				Only available in Economy and Standard output								
				C4				40 4000K				VO VERY HIGH	C4		40 4000K	VO VERY HIGH
				Not available in Very High output				Not available in Very High output								

LENGTH (in.)	FEED LOCATION	CIRCUITS	DIMMING				MOUNTING FINISH	
LENGTH	P1 END FEED P2 BACK FEED	1 SINGLE CONTROL Direct and indirect controlled together 2 DUAL CONTROL Direct and indirect controlled separately	10	REMOTE 0-10V for Static only	POE	REMOTE PoE INTERFACE	WH	WHITE
			DX	REMOTE DMX INTERFACE	NC	REMOTE pixel CONTROLLED	BK	BLACK
			DA	REMOTE DALI INTERFACE	LAT	LUTRON ATHENA Static and Tunable only	AL	ALUMINUM
			10X	REMOTE DUAL 0-10V for Tunable only. Apply 0.5 light loss factor for tuning algorithm.	NLT	NLIGHT AIR INTERFACE Static and Tunable only	0	OTHER Contact factory
			WD	REMOTE 0-10V WARM-DIM for Tunable only	0	OTHER Contact manufacturer for more options		
EV	REMOTE PHASE for Static only							

nanometer
lighting

57-10 49th place, maspeth, ny, 11378 | 718.497.0394 | nanoltg.com

12/20/2023

TECHNICAL SPECS

Weight	0.48-0.95 lbs / ft
Luminous Output	180-2250 LM/sq ft
Input Voltage	120 to 277VAC
Min/Max Operating Temperature	-13°F to 158°F

PHOTOMETRIC DATA

	LED TYPE	CRI	OUTPUT	WATTS/FT	LUMENS/FT
24	STATIC WHITE (4000K)	90+ CRI	ECONOMY (DOT-FREE)	1.5	175
	STATIC WHITE (4000K)	90+ CRI	STANDARD (DOT-FREE)	3.1	351
	STATIC WHITE (4000K)	90+ CRI	MEDIUM (DOT-FREE)	4.6	526
	STATIC WHITE (4000K)	90+ CRI	HIGH	5.8	915
	STATIC WHITE (4000K)	90+ CRI	VERY-HIGH	7.3	1219
	TUNABLE WHITE (WW + CW)	90+ CRI	ECONOMY (DOT-FREE)	3.0	341
	TUNABLE WHITE (WW + CW)	90+ CRI	STANDARD (DOT-FREE)	4.6	489
	TUNABLE WHITE (WW + CW)	90+ CRI	MEDIUM	5.5	915
	TUNABLE WHITE (WW + CW)	90+ CRI	HIGH	7.3	1220
	TUNABLE WHITE (WW + CW)	90+ CRI	VERY-HIGH	8.5	1463
	RGB (ALL ON)	80+ CRI	ECONOMY (DOT-FREE)	4.6	183
	RGB (ALL ON)	80+ CRI	STANDARD	7.0	293
	RGBW (ALL ON)	80+ CRI	ECONOMY (DOT-FREE)	4.9	274
	RGBW (ALL ON)	90+ CRI	STANDARD	4.4	258
RGBW (ALL ON)	90+ CRI	MEDIUM	5.9	401	
RGBW (ALL ON)	90+ CRI	HIGH	7.3	551	
35 / 42	STATIC WHITE (4000K)	90+ CRI	ECONOMY (DOT-FREE)	2.8	366
	STATIC WHITE (4000K)	90+ CRI	STANDARD (DOT-FREE)	4.8	732
	STATIC WHITE (4000K)	90+ CRI	MEDIUM (DOT-FREE)	8.0	1220
	STATIC WHITE (4000K)	90+ CRI	HIGH (DOT-FREE)	11.6	1830
	STATIC WHITE (4000K)	90+ CRI	VERY-HIGH (DOT-FREE)	14.6	2438
	TUNABLE WHITE (WW + CW)	90+ CRI	ECONOMY (DOT-FREE)	4.8	732
	TUNABLE WHITE (WW + CW)	90+ CRI	STANDARD (DOT-FREE)	7.4	1220
	TUNABLE WHITE (WW + CW)	90+ CRI	MEDIUM (DOT-FREE)	11.0	1830
	TUNABLE WHITE (WW + CW)	90+ CRI	HIGH (DOT-FREE)	14.6	2440
	TUNABLE WHITE (WW + CW)	90+ CRI	VERY-HIGH (DOT-FREE)	17.0	2926
	RGB (ALL ON)	80+ CRI	ECONOMY (DOT-FREE)	9.2	366
	RGB (ALL ON)	80+ CRI	STANDARD	14.0	586
	RGBW (ALL ON)	80+ CRI	ECONOMY (DOT-FREE)	9.8	548
	RGBW (ALL ON)	90+ CRI	STANDARD	8.8	516
RGBW (ALL ON)	90+ CRI	MEDIUM	11.8	802	
RGBW (ALL ON)	90+ CRI	HIGH	14.6	1102	

Contact manufacturer for Pixel Controlled photometric data and cut increments.

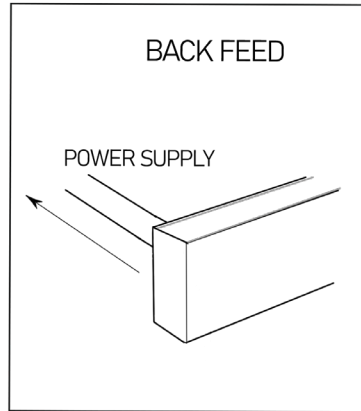
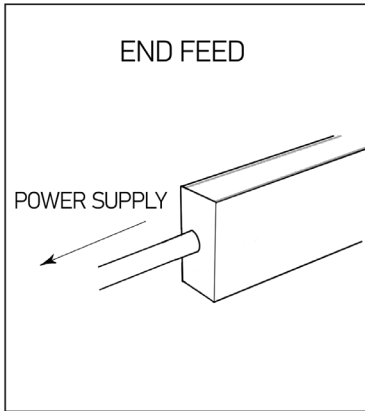
DIFFUSER LLF FACTORS

OPAL	0.74
CLEAR	0.95

STATIC WHITE CCT FACTORS

2700K	0.9
3000K	0.95
3500K	0.95
4000K	1.0
5000K	1.0

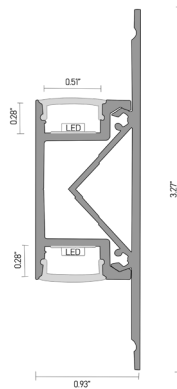
FEED OPTIONS & DIAGRAMS



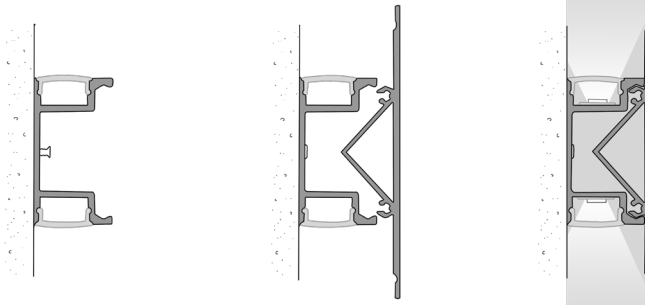
See manufacturer shop drawings for exact locations of back feed penetrations.

24

SECTIONAL VIEW

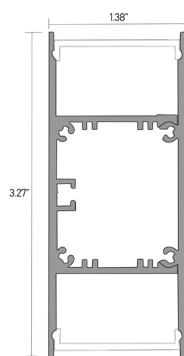


CONCEPTUAL INSTALL DIAGRAM

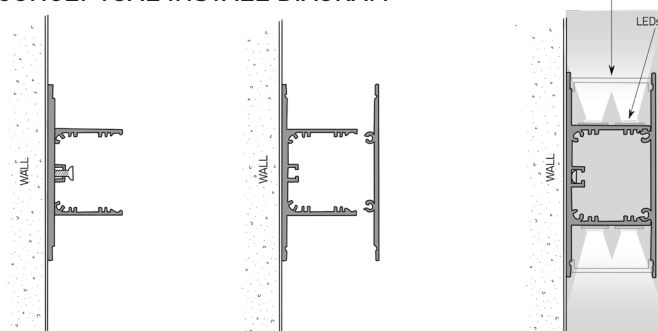


35

SECTIONAL VIEW

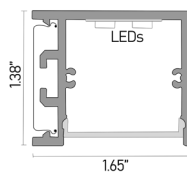


CONCEPTUAL INSTALL DIAGRAM

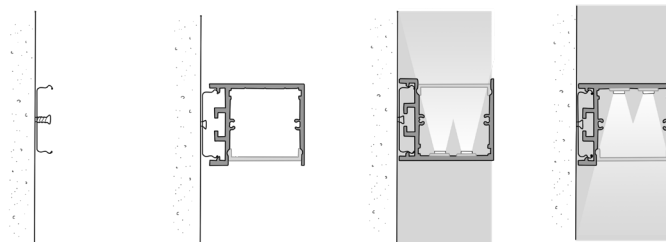


42

SECTIONAL VIEW



CONCEPTUAL INSTALL DIAGRAM

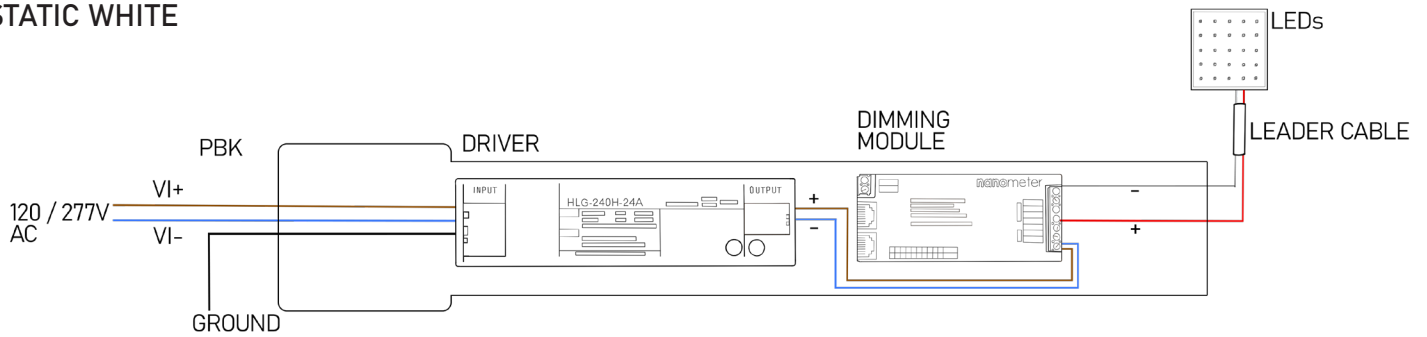


nanoline

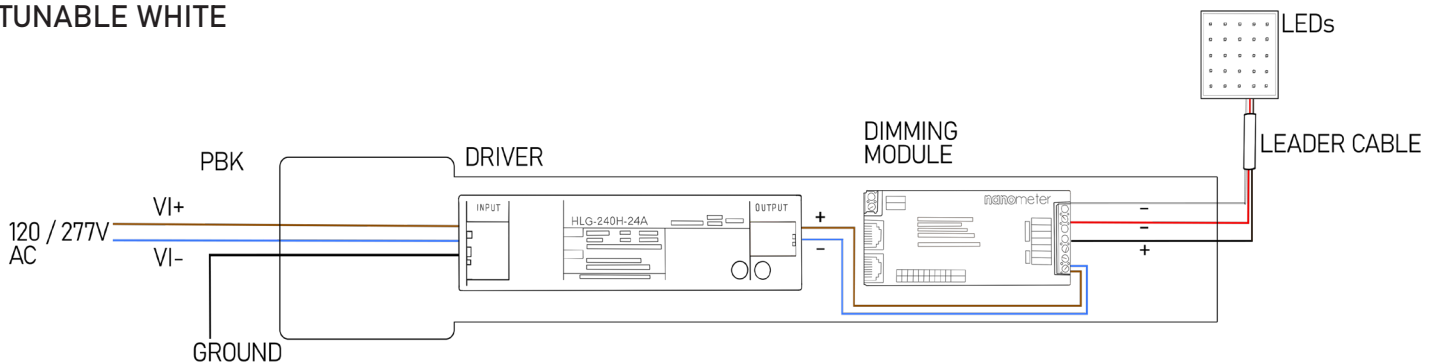
REMOTE WIRING DIAGRAMS

STATIC WHITE

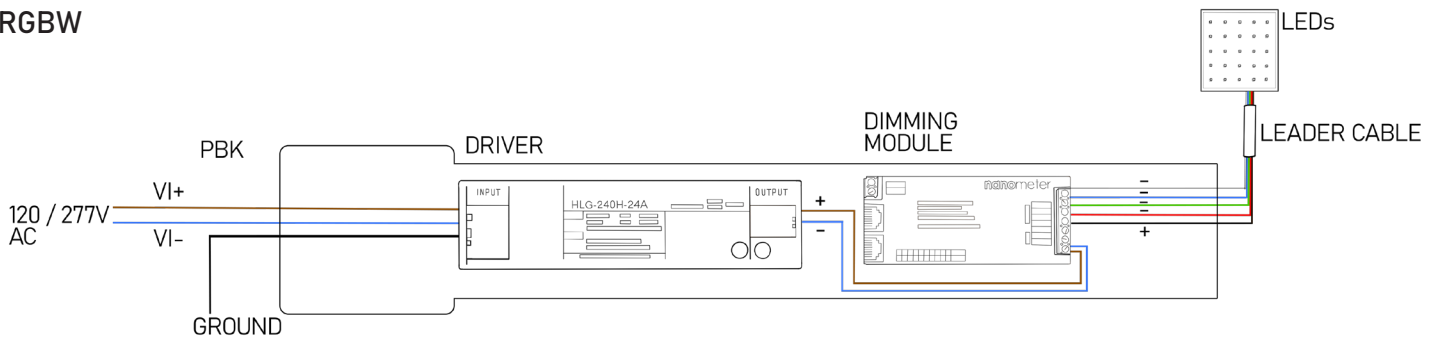
NanoLine Wall



TUNABLE WHITE

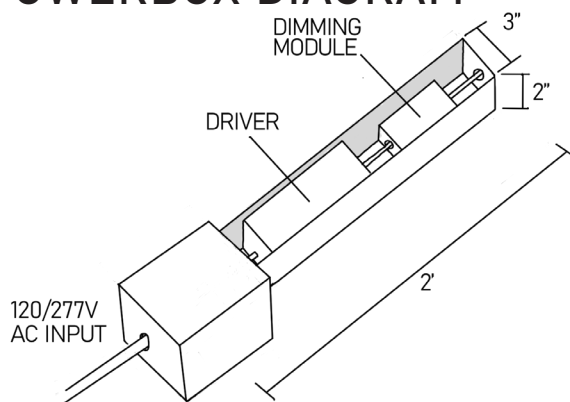


RGBW



Refer to NanoControls Spec Sheets for Pixel Controlled wiring diagrams.

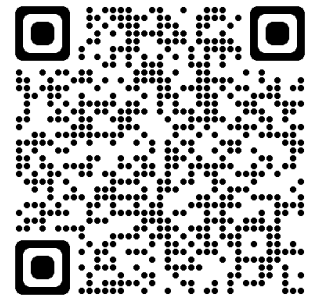
POWERBOX DIAGRAM



Wire Size (AWG)	Distance (ft.)
18	25
14	50
10	100

Data based on a Class 2 load.

Provided standard 10' 18 AWG leader.
Driver can be remoted at various maximum distance.
Distance will vary with load; please verify before release.



Learn more about the NanoLine product family at nanoltg.com.