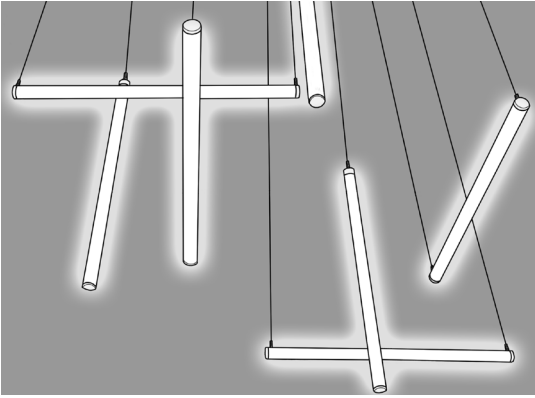


TYPE

PROJECT NAME

nanoline

NanoLine Round

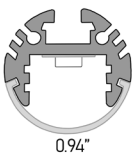


The NanoLine Round provides static white, tunable white, RGB, or RGBW lighting as functional as it is stylish, with tubular designed fixtures that can be arranged as striking statements or as subtle wall-mounted lighting. The Round can also be used with Nanometer's closet mounting hardware to illuminate while also functioning safely as a hanging rod. Multiple output and dimming options are available, including the NanoControls discrete pixel-controlled system.

24

30

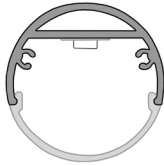
34



0.94"



1.18"



1.34"



CONFIGURATION

SAMPLE ORDER CODE:
NL-R-30-C4-40-NC-MO-96-P1-AC2-0-BK

SERIES	TYPE	LED TYPE	CCT	DIMMING	OUTPUT	
NL-R	24 0.94"	S STATIC WHITE	27 2700K	10 0-10V <small>for Static only</small>	E0 ECONOMY	
			30 3000K			DX DMX INTERFACE
			35 3500K			DA DALI INTERFACE
	30 1.18"	T TUNABLE WHITE	40 4000K	10X DUAL 0-10V <small>for Tunable only. Apply 0.5 light loss factor for tuning algorithm.</small>	S0 STANDARD	
			50 5000K	WD 0-10V WARM-DIM <small>for Tunable only</small>		
34 1.34"	C3 RGB <small>Only available in Economy and Standard output</small>	27-65 2700-6500K <small>others available</small>		MO MEDIUM		
		RGB				
	C4 RGBW <small>Not available in Very High output</small>	40 4000K		HO HIGH		
					VO VERY HIGH	
				EV PHASE <small>for Static only</small>		
				POE PoE INTERFACE		
				NC pixel CONTROLLED <small>Refer to NanoControls specs for required equipment</small>		
				LAT LUTRON ATHENA NODE <small>Static and Tunable only</small>		
				NLT NLIGHT AIR INTERFACE <small>Static and Tunable only</small>		
				0 OTHER <small>Contact manufacturer for more options</small>		

LENGTH (in.)	FEED LOCATION	MOUNTING	LENS	MOUNTING FINISH
LENGTH	P1 END FEED	S SURFACE	0 OPAL	WH WHITE
	P2 BACK FEED	AC1 AIRCRAFT CABLE HORIZONTAL		BK BLACK
		AC2 AIRCRAFT CABLE VERTICAL		AL ALUMINUM
		CL CLOSET BRACKETS <small>Only available in 34</small>		0 OTHER <small>Contact factory</small>

TECHNICAL SPECS

Weight	0.19-0.3 lbs / ft
Luminous Output	177-1125 LM/sq ft
Input Voltage	120 to 277VAC
Min/Max Operating Temperature	-13°F to 158°F

PHOTOMETRIC DATA

	LED TYPE	CRI	OUTPUT	WATTS/FT	LUMENS/FT
	STATIC WHITE (4000K)	90+ CRI	ECONOMY (DOT-FREE)	1.4	183
	STATIC WHITE (4000K)	90+ CRI	STANDARD (DOT-FREE)	2.4	366
	STATIC WHITE (4000K)	90+ CRI	MEDIUM (DOT-FREE)	4.0	610
	STATIC WHITE (4000K)	90+ CRI	HIGH (DOT-FREE)	5.8	915
	STATIC WHITE (4000K)	90+ CRI	VERY-HIGH (DOT-FREE)	7.3	1219
	TUNABLE WHITE (WW + CW)	90+ CRI	ECONOMY (DOT-FREE)	2.4	366
	TUNABLE WHITE (WW + CW)	90+ CRI	STANDARD (DOT-FREE)	3.7	610
	TUNABLE WHITE (WW + CW)	90+ CRI	MEDIUM (DOT-FREE)	5.5	915
	TUNABLE WHITE (WW + CW)	90+ CRI	HIGH (DOT-FREE)	7.3	1220
	TUNABLE WHITE (WW + CW)	90+ CRI	VERY-HIGH (DOT-FREE)	8.5	1463
	RGB (ALL ON)	80+ CRI	ECONOMY (DOT-FREE)	4.6	183
	RGB (ALL ON)	80+ CRI	STANDARD	7.0	293
	RGBW (ALL ON)	80+ CRI	ECONOMY (DOT-FREE)	4.9	274
	RGBW (ALL ON)	90+ CRI	STANDARD	4.4	258
	RGBW (ALL ON)	90+ CRI	MEDIUM	5.9	401
	RGBW (ALL ON)	90+ CRI	HIGH	7.3	551

Contact manufacturer for Pixel Controlled photometric data.

DIFFUSER LLF FACTORS

OPAL	0.50
------	------

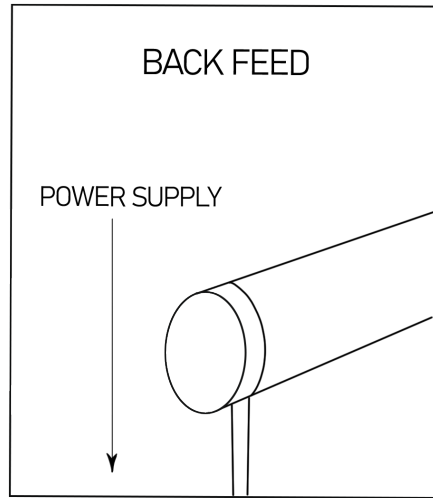
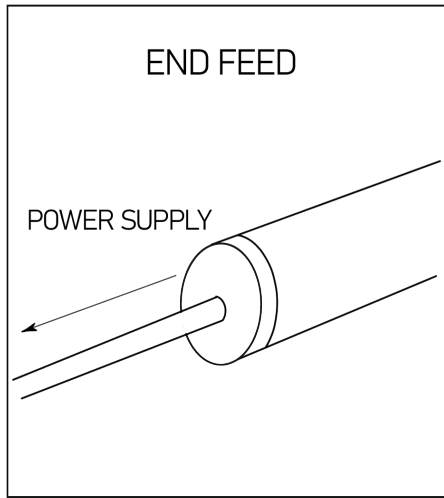
STATIC WHITE CCT FACTORS

2700K	0.9
3000K	0.95
3500K	0.95
4000K	1.0
5000K	1.0

nanoline

FEED OPTIONS

NanoLine Round

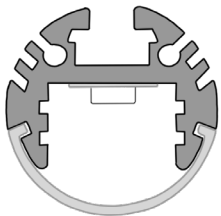


See manufacturer shop drawings for exact locations of back feed penetrations.

DIMENSIONS & MOUNTING

DIMENSIONS

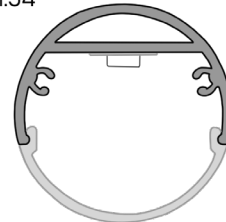
24
0.94"



30
1.18"

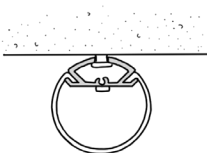


34
1.34"

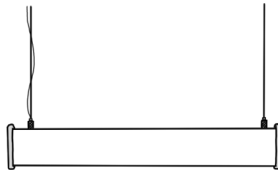


MOUNTING

SURFACE



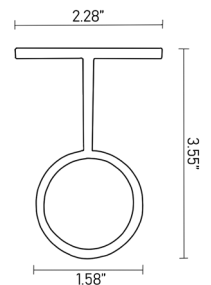
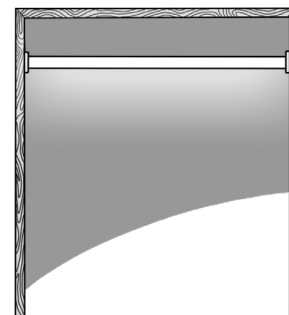
AIRCRAFT CABLE
HORIZONTAL



AIRCRAFT CABLE
VERTICAL



CLOSET
BRACKETS

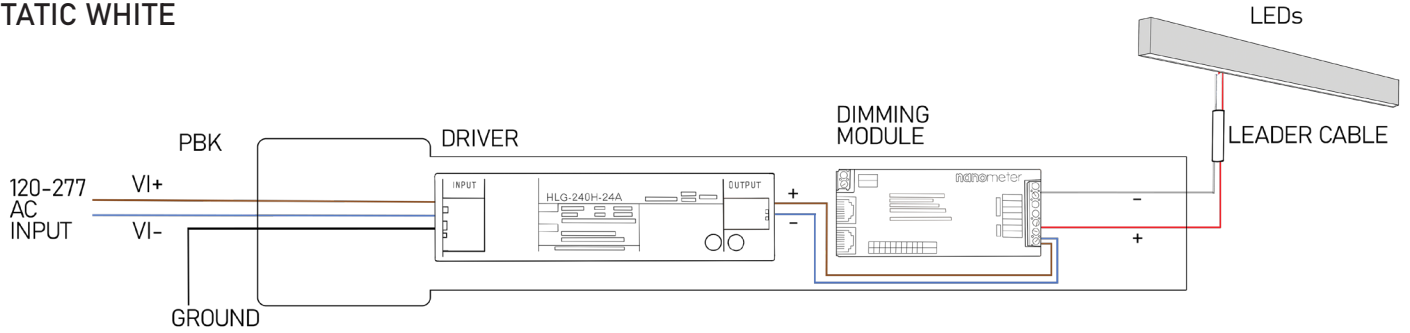


Support bracket required for closet bracket mounts over 3' in length. Fixture can support 13 lbs/ft.

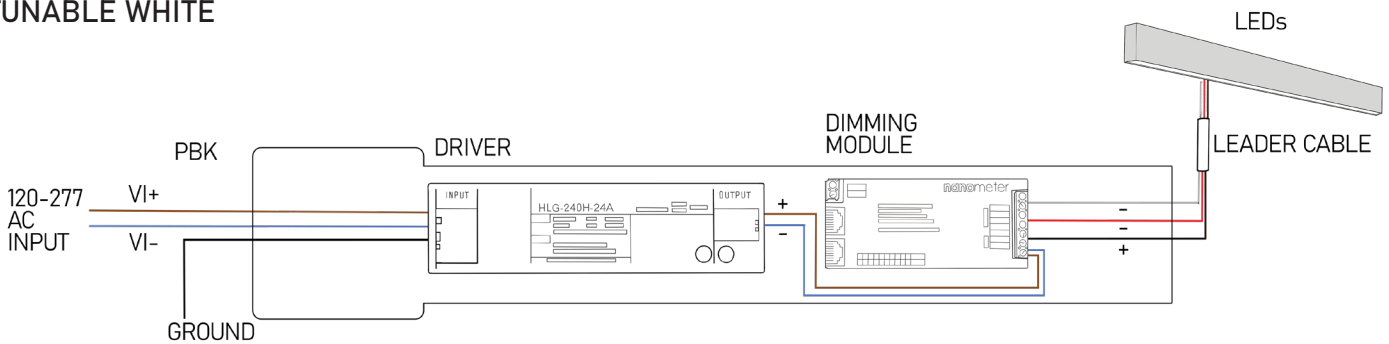
nanoline

REMOTE WIRING DIAGRAMS STATIC WHITE

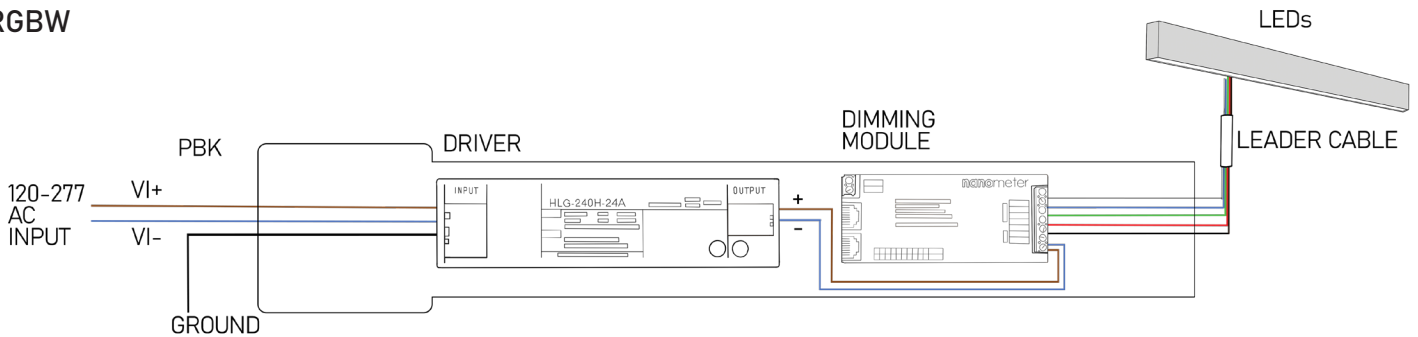
NanoLine Round



TUNABLE WHITE

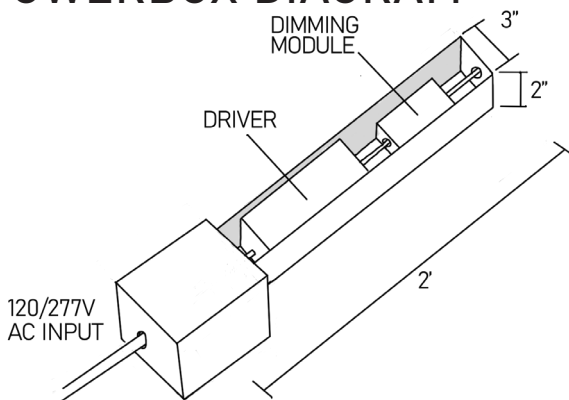


RGBW



Refer to NanoControls Spec Sheets for Pixel Controlled wiring diagrams.

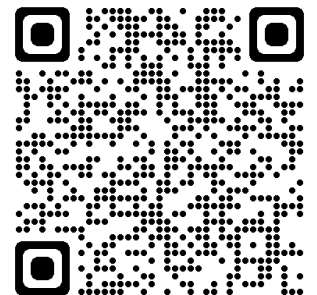
POWERBOX DIAGRAM



Wire Size (AWG)	Distance (ft.)
18	25
14	50
10	100

Data based on a Class 2 load.

Provided standard 10' 18 AWG leader.
Driver can be remoted at various maximum distance.
Distance will vary with load; please verify before release.



Learn more about the NanoLine product family at nanoltg.com.