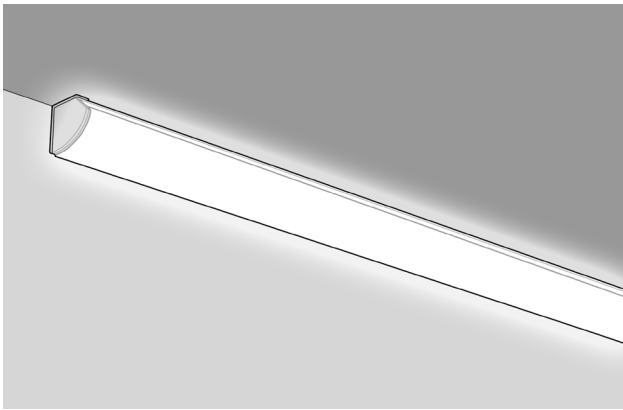


TYPE

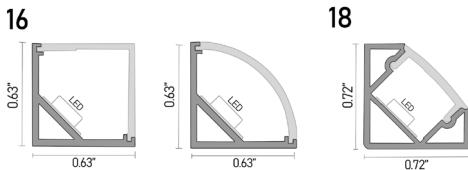
PROJECT NAME

nanoline

NanoLine Edge



The NanoLine Edge lies along corners for dramatic concealed lighting, excellent for illuminating countertops under cabinets or within millwork shelves. A selection of lens shapes allows for various effects, and the Edge is available in static white, tunable white, and RGBW LEDs with a variety of kelvin temperatures. Multiple dimming options are also available, including the NanoControls discrete pixel controlled system.



CONFIGURATION

SAMPLE ORDER CODE:
NL-E-18-C4-40-NC-MO-60-P1-R-0-BK

SERIES	TYPE	LED TYPE	CCT	DIMMING	OUTPUT
NL-E	16 0.63" Not available with Flat Lens	S STATIC WHITE	27 2700K	10 0-10V <small>for Static only</small>	E0 ECONOMY
			30 3000K		
	18 0.72"	T TUNABLE WHITE	35 3500K	DX DMX INTERFACE	S0 STANDARD
			40 4000K		
		50 5000K	DA DALI INTERFACE	M0 MEDIUM	
		27-65 2700-6500K <small>others available</small>	10X DUAL 0-10V <small>for Tunable only. Apply 0.5 light loss factor for tuning algorithm.</small>		
		C3 RGB <small>Only available in Economy and Standard output</small>	RGB	WD 0-10V WARM-DIM <small>for Tunable only</small>	H0 HIGH
		C4 RGBW <small>Not available in Very High output</small>	40 4000K	EV PHASE <small>for Static only</small>	
				POE PoE INTERFACE	V0 VERY HIGH
				NC pixel CONTROLLED <small>Refer to NanoControls specs for required equipment</small>	
				LAT LUTRON ATHENA NODE <small>Static and Tunable only</small>	
				NLT NLIGHT AIR INTERFACE <small>Static and Tunable only</small>	
				0 OTHER <small>Contact manufacturer for more options</small>	

LENGTH (in.)	FEED LOCATION	MOUNTING	LENS	MOUNTING FINISH
LENGTH	P1 END FEED	S SURFACE	S0 SQUARE OPAL	WH WHITE
	P2 BACK FEED		R0 ROUND OPAL	BK BLACK
			F0 FLAT OPAL <small>Only lens option for 18</small>	AL ALUMINUM
				0 OTHER <small>Contact factory</small>

TECHNICAL SPECS

Weight	0.11-0.16 lbs / ft
Luminous Output	177-1125 LM/sq ft
Input Voltage	120 to 277VAC
Min/Max Operating Temperature	-13°F to 158°F

PHOTOMETRIC DATA

	LED TYPE	CRI	OUTPUT	WATTS/FT	LUMENS/FT
	STATIC WHITE (4000K)	90+ CRI	ECONOMY (DOT-FREE)	1.5	175
	STATIC WHITE (4000K)	90+ CRI	STANDARD (DOT-FREE)	3.1	351
	STATIC WHITE (4000K)	90+ CRI	MEDIUM (DOT-FREE)	4.6	526
	STATIC WHITE (4000K)	90+ CRI	HIGH	5.8	915
	STATIC WHITE (4000K)	90+ CRI	VERY-HIGH	7.3	1219
	TUNABLE WHITE (WW + CW)	90+ CRI	ECONOMY (DOT-FREE)	3.0	341
	TUNABLE WHITE (WW + CW)	90+ CRI	STANDARD (DOT-FREE)	4.6	489
	TUNABLE WHITE (WW + CW)	90+ CRI	MEDIUM	5.5	915
	TUNABLE WHITE (WW + CW)	90+ CRI	HIGH	7.3	1220
	TUNABLE WHITE (WW + CW)	90+ CRI	VERY-HIGH	8.5	1463
	RGB (ALL ON)	80+ CRI	ECONOMY (DOT-FREE)	4.6	183
	RGB (ALL ON)	80+ CRI	STANDARD	7.0	293
	RGBW (ALL ON)	80+ CRI	ECONOMY (DOT-FREE)	4.9	274
	RGBW (ALL ON)	90+ CRI	STANDARD	4.4	258
	RGBW (ALL ON)	90+ CRI	MEDIUM	5.9	401
	RGBW (ALL ON)	90+ CRI	HIGH	7.3	551

Contact manufacturer for Pixel Controlled photometric data.

DIFFUSER LLF FACTORS

OPAL	0.52
------	------

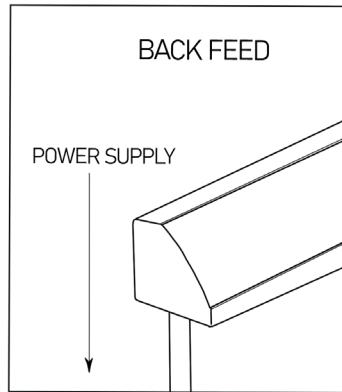
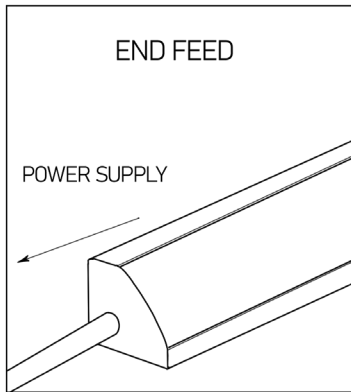
STATIC WHITE CCT FACTORS

2700K	0.9
3000K	0.95
3500K	0.95
4000K	1.0
5000K	1.0

nanoline

FEED OPTIONS

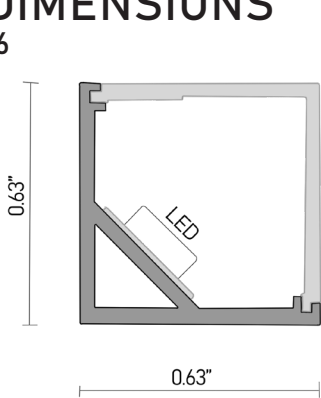
NanoLine Edge



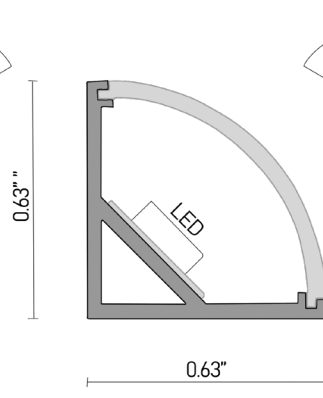
See manufacturer shop drawings for exact locations of back feed penetrations.

DIMENSIONS

16

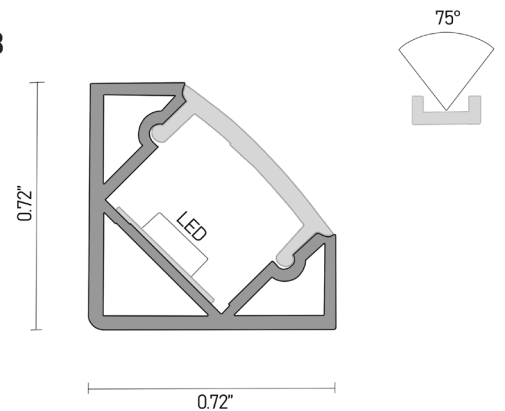


SQUARE LENS



ROUND LENS

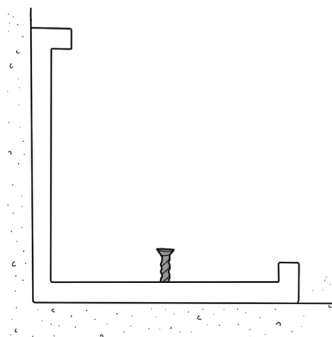
18



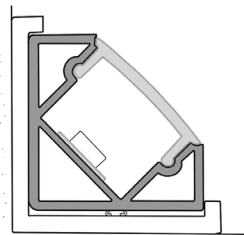
FLAT LENS

The Flat Lens is only available in the 18 (0.72") size.

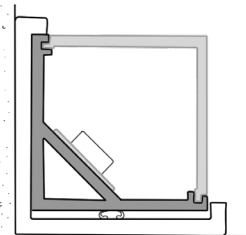
MOUNTING



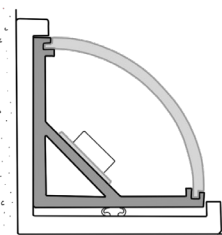
SURFACE CLIP



FLAT



SQUARE

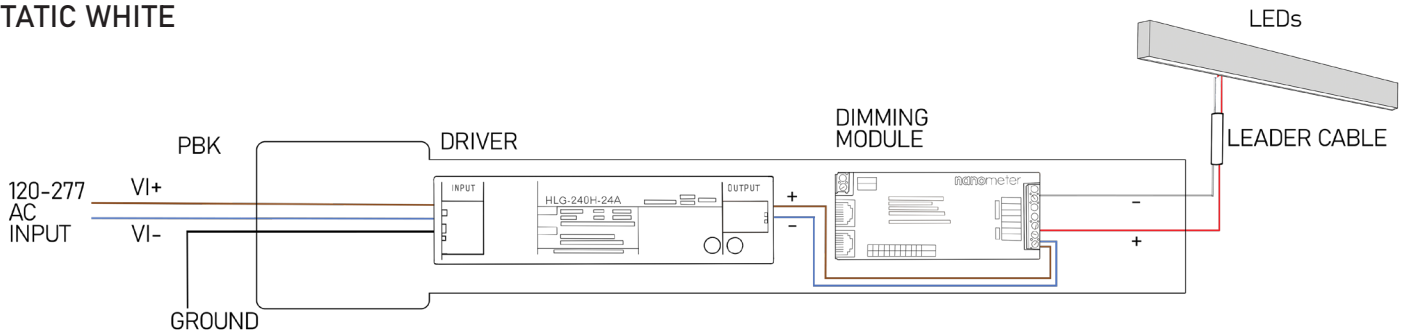


ROUND

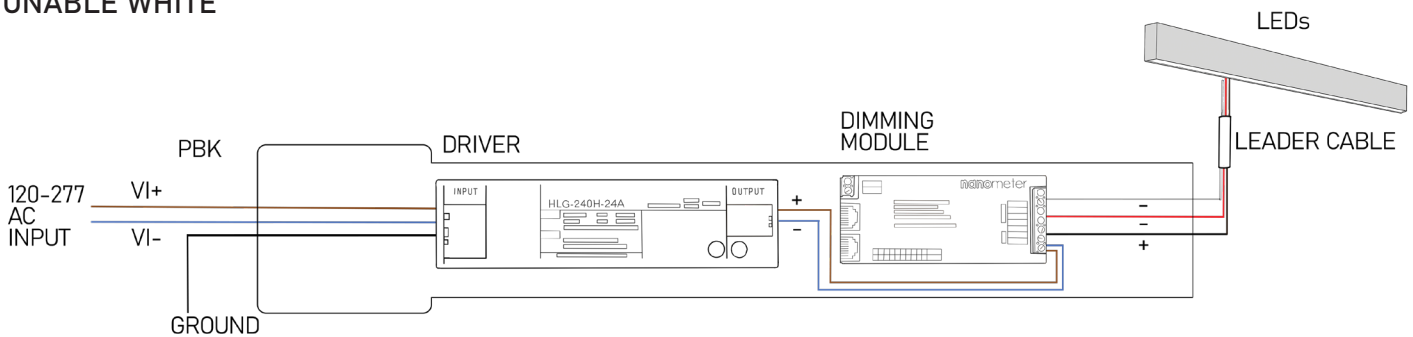
nanoline

NanoLine Edge

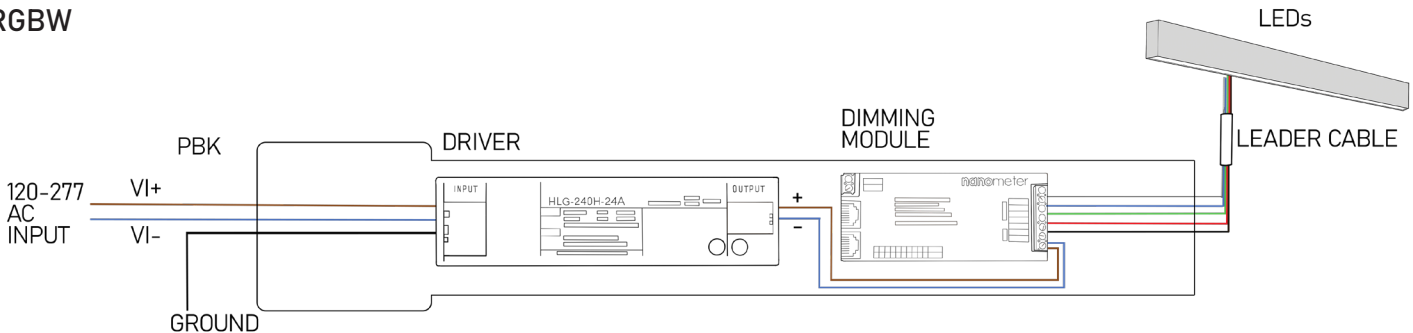
REMOTE WIRING DIAGRAMS STATIC WHITE



TUNABLE WHITE

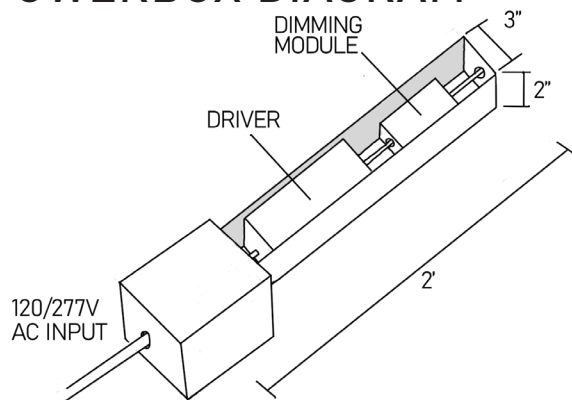


RGBW



Refer to NanoControls Spec Sheets for Pixel Controlled wiring diagrams.

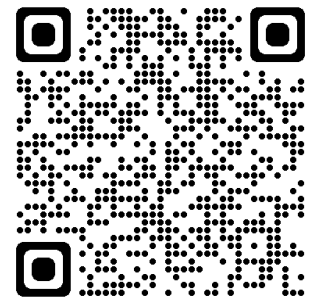
POWERBOX DIAGRAM



Wire Size (AWG)	Distance (ft.)
18	25
14	50
10	100

Data based on a Class 2 load.

Provided standard 10' 18 AWG leader.
Driver can be removed at various maximum distance.
Distance will vary with load; please verify before release.



Learn more about the NanoLine product family at nanoltg.com.