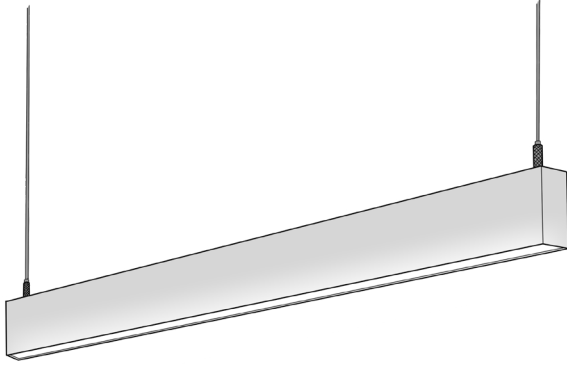


TYPE

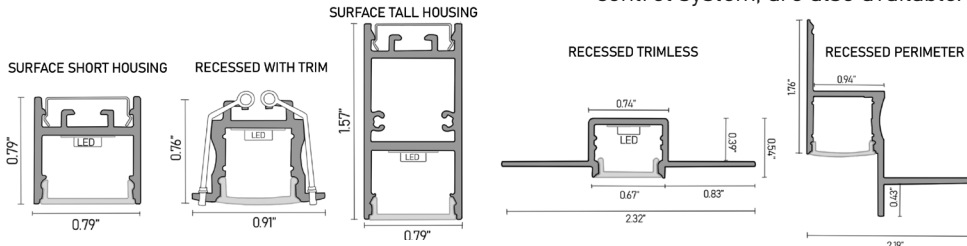
PROJECT NAME

nanoline

NanoLine Compact



With a variety of mounting options, the NanoLine Compact offers a sleek, linear lighting solution for any space. From subtle perimeter accent lighting to striking centerpieces, the luminaire provides a clean installation including concealed mounting brackets or trimless flanges. It is available in static, tunable, RGB, and RGBW as well as a variety of outputs and kelvin temperatures. Multiple dimming options, including the NanoControls discrete pixel control system, are also available.



CONFIGURATION

SAMPLE ORDER CODE:
NL-C-20-C4-NC-MO-60-PR-O-BK

| SERIES | TYPE | LED TYPE | CCT | DIMMING | OUTPUT |
|---|--|---|--|--|---------------|
| NL-C | 20 0.79" | S STATIC WHITE | 27 2700K | 10 0-10V <small>for Static only</small> | E0 ECONOMY |
| | | | 30 3000K | | |
| | | 35 3500K | DX DMX INTERFACE | S0 STANDARD | |
| | | 40 4000K | DA DALI INTERFACE | | |
| 50 5000K | 10X DUAL 0-10V <small>for Tunable only. Apply 0.5 light loss factor for tuning algorithm.</small> | H0 HIGH | | | |
| T TUNABLE WHITE | 27-65 2700-6500K <small>others available</small> | | WD 0-10V WARM-DIM <small>for Tunable only</small> | M0 MEDIUM | |
| C3 RGB <small>Only available in Economy and Standard output</small> | RGB | | EV PHASE <small>for Static only</small> | | |
| C4 RGBW <small>Not available in Very High output</small> | 40 4000K | | POE PoE INTERFACE | V0 VERY HIGH | |
| | | NC pixel CONTROLLED <small>Refer to NanoControls specs for required equipment</small> | | | |
| | | | | LAT LUTRON ATHENA NODE <small>Static and Tunable only</small> | |
| | | | | NLT NLIGHT AIR INTERFACE <small>Static and Tunable only</small> | |
| | | | | 0 OTHER <small>Contact manufacturer for more options</small> | |

| LENGTH (in.) | FEED LOCATION | MOUNTING | LENS | MOUNTING FINISH |
|--------------|-----------------|----------------------------------|------------|---|
| LENGTH | P1 END FEED | S1 SURFACE SHORT HOUSING | O OPAL | WH WHITE |
| | | S2 SURFACE TALL HOUSING | | BK BLACK |
| | P2 BACK FEED | AC1 AIRCRAFT CABLE SHORT HOUSING | C CLEAR | AL ALUMINUM |
| | | AC2 AIRCRAFT CABLE TALL HOUSING | | 0 OTHER <small>Contact factory</small> |
| | | R RECESSED WITH TRIM | | |
| | | TR RECESSED TRIMLESS | | |
| | | PR RECESSED PERIMETER | | |

TECHNICAL SPECS

| | |
|-------------------------------|-------------------|
| Weight | 0.2-0.5 lbs / ft |
| Luminous Output | 177-1125 LM/sq ft |
| Input Voltage | 120 to 277VAC |
| Min/Max Operating Temperature | -13°F to 158°F |

PHOTOMETRIC DATA

| | LED TYPE | CRI | OUTPUT | WATTS/FT | LUMENS/FT |
|--|-------------------------|---------|----------------------|----------|-----------|
| | STATIC WHITE (4000K) | 90+ CRI | ECONOMY (DOT-FREE) | 1.4 | 183 |
| | STATIC WHITE (4000K) | 90+ CRI | STANDARD (DOT-FREE) | 2.4 | 366 |
| | STATIC WHITE (4000K) | 90+ CRI | MEDIUM (DOT-FREE) | 4.0 | 610 |
| | STATIC WHITE (4000K) | 90+ CRI | HIGH (DOT-FREE) | 5.8 | 915 |
| | STATIC WHITE (4000K) | 90+ CRI | VERY-HIGH (DOT-FREE) | 7.3 | 1219 |
| | TUNABLE WHITE (WW + CW) | 90+ CRI | ECONOMY (DOT-FREE) | 2.4 | 366 |
| | TUNABLE WHITE (WW + CW) | 90+ CRI | STANDARD (DOT-FREE) | 3.7 | 610 |
| | TUNABLE WHITE (WW + CW) | 90+ CRI | MEDIUM (DOT-FREE) | 5.5 | 915 |
| | TUNABLE WHITE (WW + CW) | 90+ CRI | HIGH (DOT-FREE) | 7.3 | 1220 |
| | TUNABLE WHITE (WW + CW) | 90+ CRI | VERY-HIGH (DOT-FREE) | 8.5 | 1463 |
| | RGB (ALL ON) | 80+ CRI | ECONOMY (DOT-FREE) | 4.6 | 183 |
| | RGB (ALL ON) | 80+ CRI | STANDARD | 7.0 | 293 |
| | RGBW (ALL ON) | 80+ CRI | ECONOMY (DOT-FREE) | 4.9 | 274 |
| | RGBW (ALL ON) | 90+ CRI | STANDARD | 4.4 | 258 |
| | RGBW (ALL ON) | 90+ CRI | MEDIUM | 5.9 | 401 |
| | RGBW (ALL ON) | 90+ CRI | HIGH | 7.3 | 551 |

Contact manufacturer for Pixel Controlled photometric data.

DIFFUSER LLF FACTORS

| | |
|-------|------|
| OPAL | 0.74 |
| CLEAR | 0.95 |

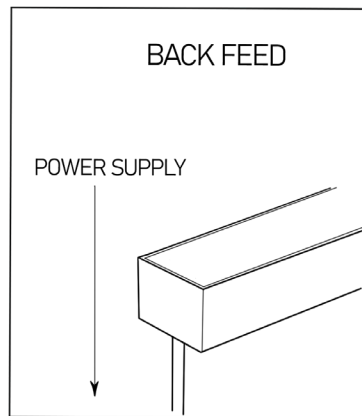
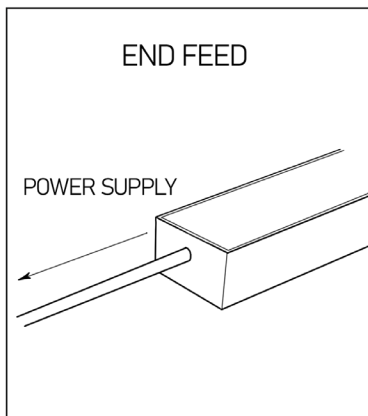
STATIC WHITE CCT FACTORS

| | |
|-------|------|
| 2700K | 0.9 |
| 3000K | 0.95 |
| 3500K | 0.95 |
| 4000K | 1.0 |
| 5000K | 1.0 |

nanoline

NanoLine Compact

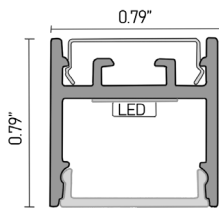
FEED OPTIONS



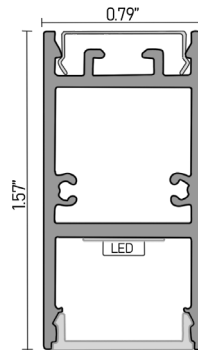
See manufacturer shop drawings for exact locations of back feed penetrations.

MOUNTING

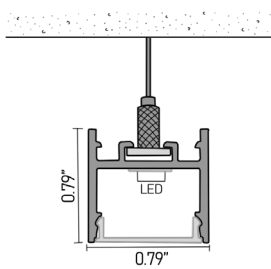
SURFACE SHORT HOUSING



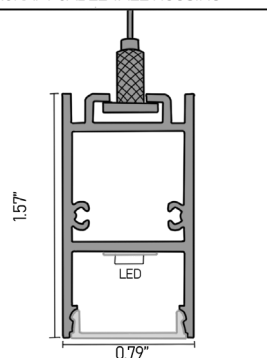
SURFACE TALL HOUSING



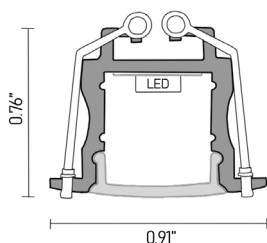
AIRCRAFT CABLE SHORT HOUSING



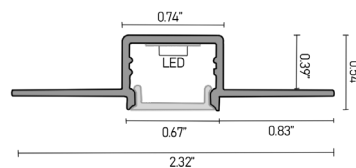
AIRCRAFT CABLE TALL HOUSING



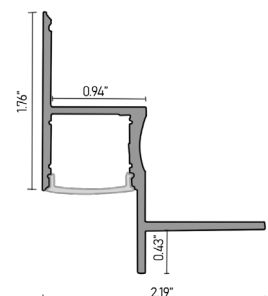
RECESSED WITH TRIM



RECESSED TRIMLESS



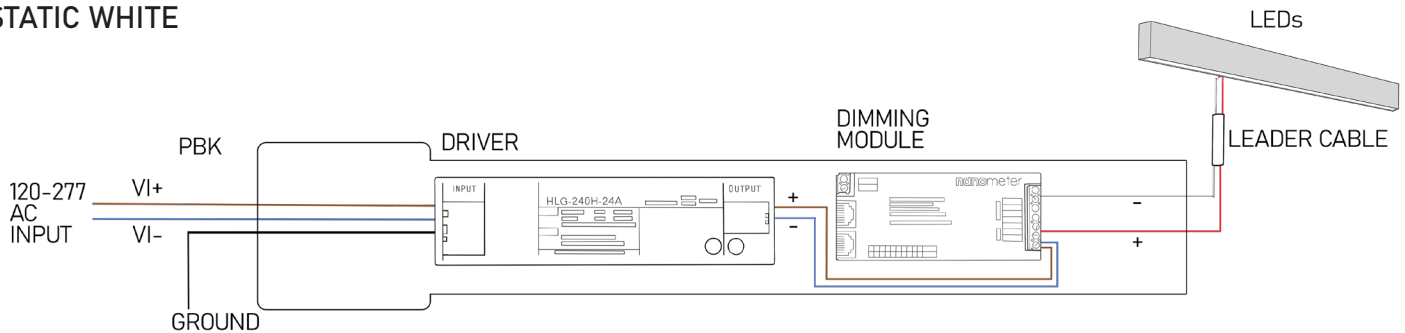
RECESSED PERIMETER



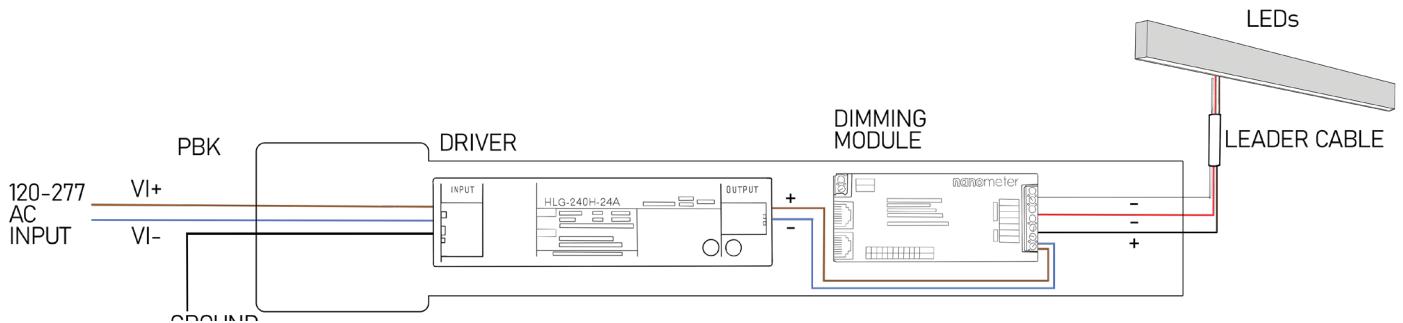
nanoline

NanoLine Compact

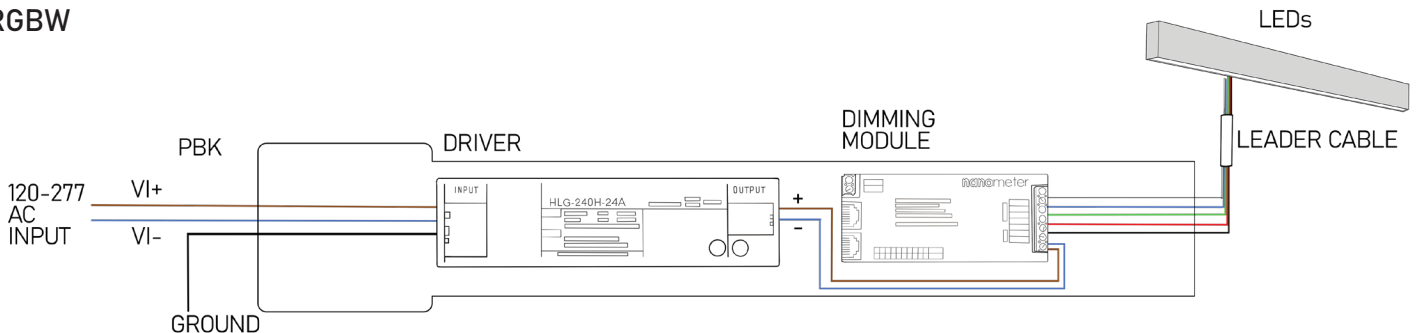
REMOTE WIRING DIAGRAMS STATIC WHITE



TUNABLE WHITE

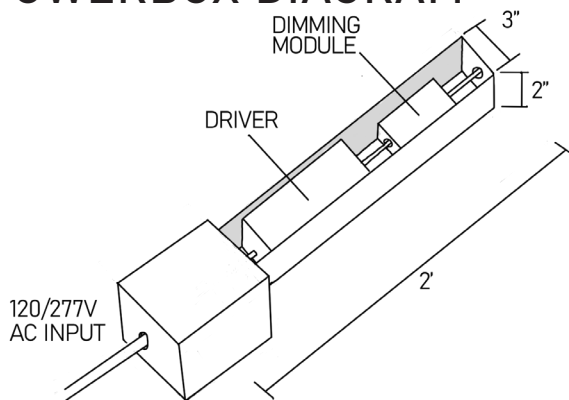


RGBW



Refer to NanoControls Spec Sheets for Pixel Controlled wiring diagrams.

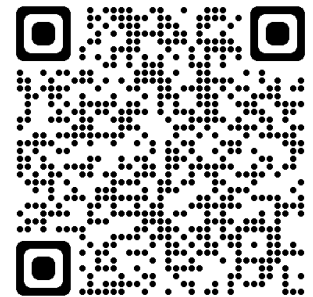
POWERBOX DIAGRAM



| Wire Size (AWG) | Distance (ft.) |
|-----------------|----------------|
| 18 | 25 |
| 14 | 50 |
| 10 | 100 |

Data based on a Class 2 load.

Provided standard 10' 18 AWG leader.
Driver can be removed at various maximum distance.
Distance will vary with load; please verify before release.



Learn more about the NanoLine product family at nanoltg.com.