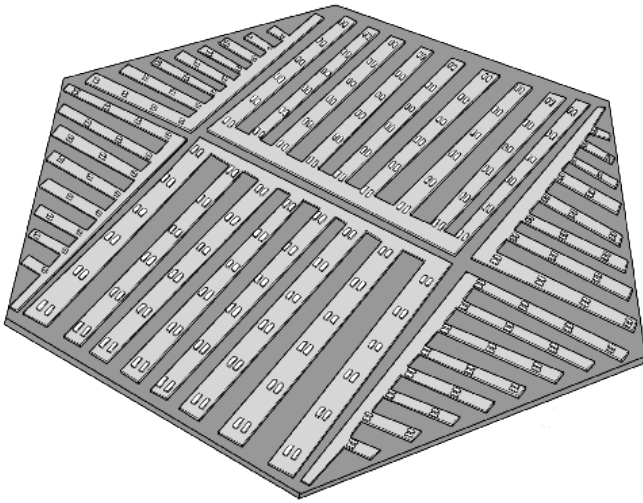


TYPE

PROJECT NAME

# nano**board**

## NanoBoard Shape



The NanoBoard Shape features LEDs embedded into a “finger” board pre-mounted and prewired onto a substrate custom crafted to any form. Available in static white, tunable white, RGB, and RGBW with a variety of kelvin temperatures and dimming options, it comes in multiple sizes to fit even the most challenging configurations. The NanoBoard is perfect for backlighting when uniformity is critical, and can be used with glass, stone, textiles, acrylic, fabric, and signage. It comes with detailed instructions to easily maintain on-center spacing without the burden of configuring, individual wiring, or board-by-board mounting.



### CONFIGURATION

SAMPLE ORDER CODE:  
NB-SHR-RP-SU-T27-40-9-M0-108-WD-U-EC

CATALOG NUMBER	BOARD TYPE	SUBSTRATE	MOUNTING	MOUNTING OPTIONS	LED TYPE	CCT	CRI	
NB-SH	R RIGID	AL ALUMINUM	SU SURFACE	P RIGID STEM	S STATIC	27 2700K	9 90+	
		BM BAMBOO				30 3000K		
		RP RIGID RECYCLED PLASTIC				35 3500K		
	F FLEXIBLE	BM BAMBOO	AC CABLE	48 SHORT 48"	T TUNABLE WHITE	27-40 2700-4000K		
		RP RIGID RECYCLED PLASTIC				96 LONG 96"		
		FP FLEXIBLE PLASTIC				C3 RGB <small>Only available in Standard output</small>		
	W WET RATED IP67	RP RIGID RECYCLED PLASTIC	R RECESSED	TCH T-GRID HIGH	C4 RGBW	30 RGBW, 3000K WHITE		
		FP FLEXIBLE PLASTIC				40 RGBW, 4000K WHITE <small>Only available in Standard output</small>		
					TCL T-GRID LOW			

OUTPUT	SIZE (in.)	DIMMING	VOLTAGE	OPTIONS
E0 ECONOMIC	AREA  <small>Enter square footage in order code. Please attach dimension details.</small>	10 0-10V <small>for Static only</small>	U 120V-277V	EC EMERGENCY CIRCUIT
S0 STANDARD		DX DMX		EI REMOTE EMERGENCY INVERTER
M0 MEDIUM		DA DALI	2 347V	D8 80% TRANSMISSION DIFFUSOR
H0 HIGH		10X DUAL 0-10V <small>for Tunable only, Apply 0.5 light loss factor for tuning algorithm.</small>		D5 50% TRANSMISSION DIFFUSOR
V0 VERY HIGH		WD WARM-DIM <small>for Tunable only</small>	3 220V, 50HZ	QAC QUANTUM ACOUSTIC BAFFLE <small>Only available with Rigid board</small>
		EV PHASE <small>for Static only</small>		
		POE PoE		
		LAT LUTRON ATHENA <small>Static and Tunable only</small>		
		NC <b>pixel</b> CONTROLLED <small>Flexible and Wet-Rated only. Refer to NanoControls specs for required equipment</small>		
		0 OTHER <small>Contact manufacturer for more options</small>		

# nano**board**

## NanoBoard Shape

### TECHNICAL SPECS

Weight (LED board and substrate)	0.57 - 1.15 lbs/sq. ft.
Luminous Output	200-1800 LM/sq ft
Input Voltage	120 to 277VAC
Min/Max Operating Temperature	-13°F to 158°F
Output Voltage	24VDC
LED Rating	L90 (<60,000 hours)
Warranty	5 year LED warranty
Efficacy	150 - 200 LM/W

### PHOTOMETRIC DATA

	LED TYPE	OUTPUT	WATTS/SQ. FT.	LUMENS/SQ. FT.	EFFICACY
<b>Rigid</b>	STATIC WHITE (4000K)	ECONOMY	1.5	300	200
	STATIC WHITE (4000K)	STANDARD	2.5	500	200
	STATIC WHITE (4000K)	MEDIUM	4.5	900	200
	STATIC WHITE (4000K)	HIGH	6.1	1200	197
	STATIC WHITE (4000K)	VERY-HIGH	9.1	1800	198
	TUNABLE WHITE (WW+CW)	ECONOMY	3.1	600 (WW+CW)	194
	TUNABLE WHITE (WW+CW)	STANDARD	5.3	1000 (WW+CW)	189
	TUNABLE WHITE (WW+CW)	MEDIUM	9.5	1800 (WW+CW)	189
	TUNABLE WHITE (WW+CW)	HIGH	12.7	2400 (WW+CW)	189
	TUNABLE WHITE (WW+CW)	VERY-HIGH	19.1	3600 (WW+CW)	188
	RGB	STANDARD	22 (ALL ON)	800 (ALL ON)	36.4
	RGBW	STANDARD	40.0 (ALL ON)	600 (WHITE ONLY)	60
<b>Flexible</b>	STATIC WHITE (4000K)	ECONOMY	2.0	300	150
	STATIC WHITE (4000K)	STANDARD	3.4	500	147
	STATIC WHITE (4000K)	MEDIUM	6.0	900	150
	STATIC WHITE (4000K)	HIGH	8.0	1200	150
	STATIC WHITE (4000K)	VERY-HIGH	12.0	1800	150
	STATIC WHITE - PIXEL (4000K) ADDRESSABLE EVERY 4"x4"	STANDARD	17	1485	87.4
	TUNABLE WHITE (WW+CW)	ECONOMY	4.6	600 (WW+CW)	130
	TUNABLE WHITE (WW+CW)	STANDARD	7.65	1000 (WW+CW)	131
	TUNABLE WHITE (WW+CW)	MEDIUM	13.7	1800 (WW+CW)	131
	TUNABLE WHITE (WW+CW)	HIGH	18.3	2400 (WW+CW)	131
	TUNABLE WHITE (WW+CW)	VERY-HIGH	27.5	3600 (WW+CW)	131
	TUNABLE WHITE - PIXEL (WW+CW) ADDRESSABLE EVERY 4"x4"	STANDARD	17	1400 (WW+CW)	82.4
	RGB	STANDARD	20 (ALL ON)	925 (ALL ON)	46.3
	RGBW	STANDARD	30 (ALL ON)	810 (WHITE ONLY)	62.5
	RGBW - PIXEL ADDRESSABLE EVERY 4"x4"	STANDARD	17.5 (ALL ON)	400 (WHITE ONLY)	55.4

APPLY 0.95 FACTOR TO FLEXIBLE SHEET FOR IP67 OUTPUTS

#### STATIC WHITE CCT FACTORS

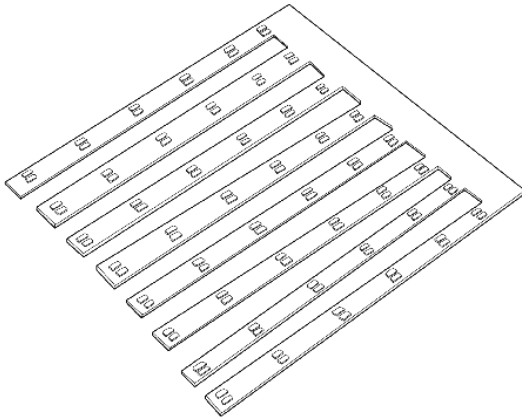
2700K	0.9
3000K	0.95
3500K	0.95
4000K	1.0
5000K	1.0

**nano**meter

lighting 57-10 49th place, maspeth, ny, 11378 | 718.497.0394 | nanoltg.com 7/3/2024

# nano**board**

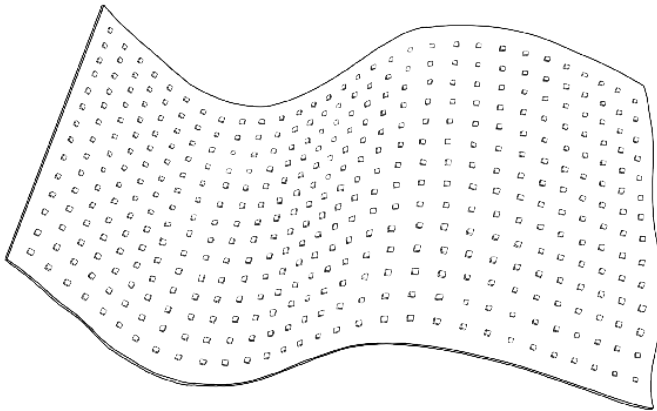
BOARD TYPE  
RIGID



## NanoBoard Shape

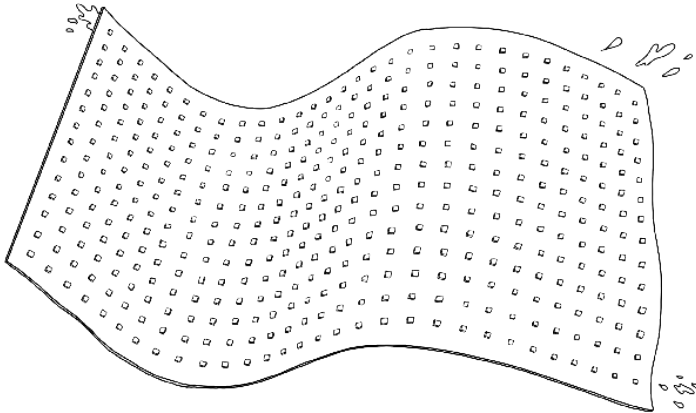
Pitch	1.5 in.
PCB Type	White SMT
Weight	0.25 lbs/sq. ft.

FLEXIBLE



Pitch	1 in.
PCB Type	White FPC
Weight	0.20 lbs/sq. ft.

WET RATED



Pitch	1 in.
PCB Type	White FPC with wet-rated coating
Weight	0.22 lbs/sq. ft.

nano**meter**

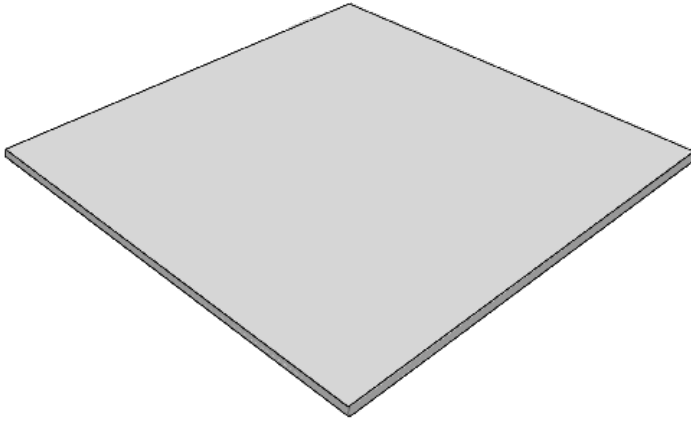
lighting 57-10 49th place, maspeth, ny, 11378 | 718.497.0394 | nanoltg.com 7/3/2024

# nanoboard

## NanoBoard Shape

### SUBSTRATES

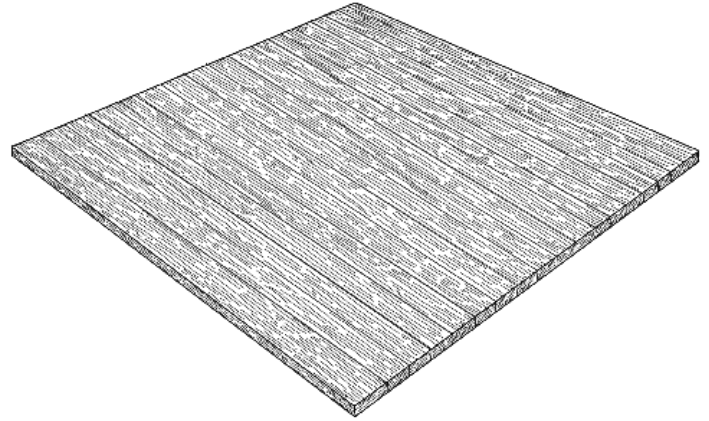
#### ALUMINUM COMPOSITE



Lightweight, corrosion-resistant aluminum substrate ideal for rigid applications.

Weight	0.73 lbs/sq ft
Color	Painted White Aluminum
Structure	6061-T6
Thickness	3 mm

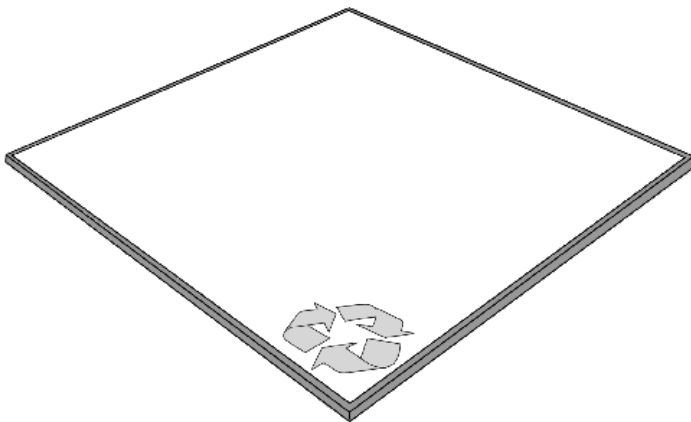
#### BAMBOO



Sustainable bamboo substrate coated with eco-friendly, water-based fire retardant tested to achieve ASTM E84 Class A rating.

Weight	0.45 lbs/sq ft
Color	Natural
Structure	5-ply
Thickness	3.3 mm

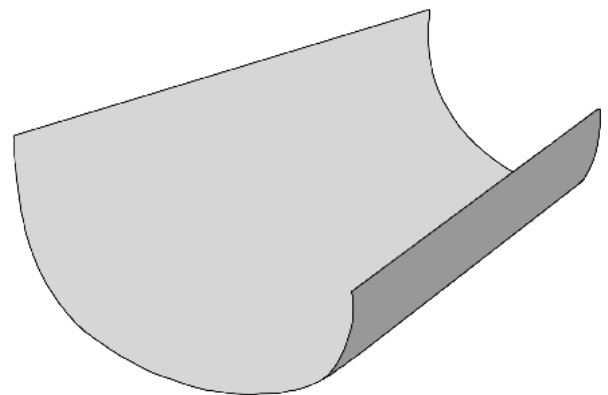
#### RIGID RECYCLED PLASTIC



Green cast rigid plastic substrate comprised of 100% recycled raw material ideal for LEED Certification Credits or ISO 9001.

Weight	0.69 lbs/sq ft
Color	White Opaque
Structure	Cast Recycled
Thickness	3 mm

#### FLEXIBLE PLASTIC



Flexible lightweight expanded PVC plastic ideal for curved mounting applications. UL1975 classified with UL-94V-0 Vertical burn rate.

Weight	0.37 lbs/sq ft
Color	White Opaque
Structure	Vinyl PVC
Thickness	1.52 mm

## nanometer

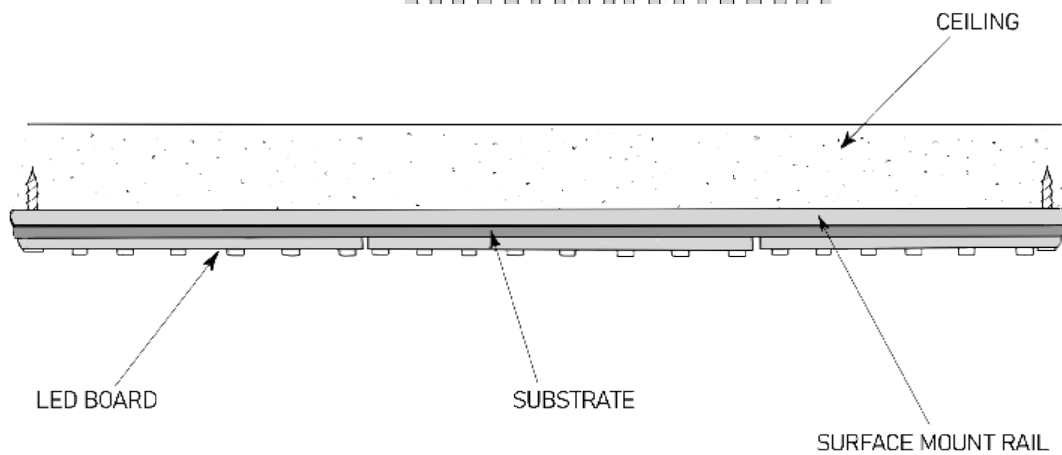
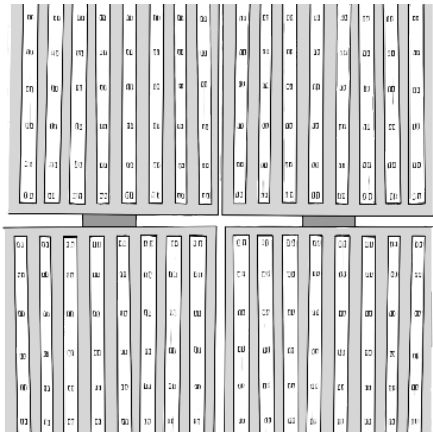
# nanoboard

## NanoBoard Shape

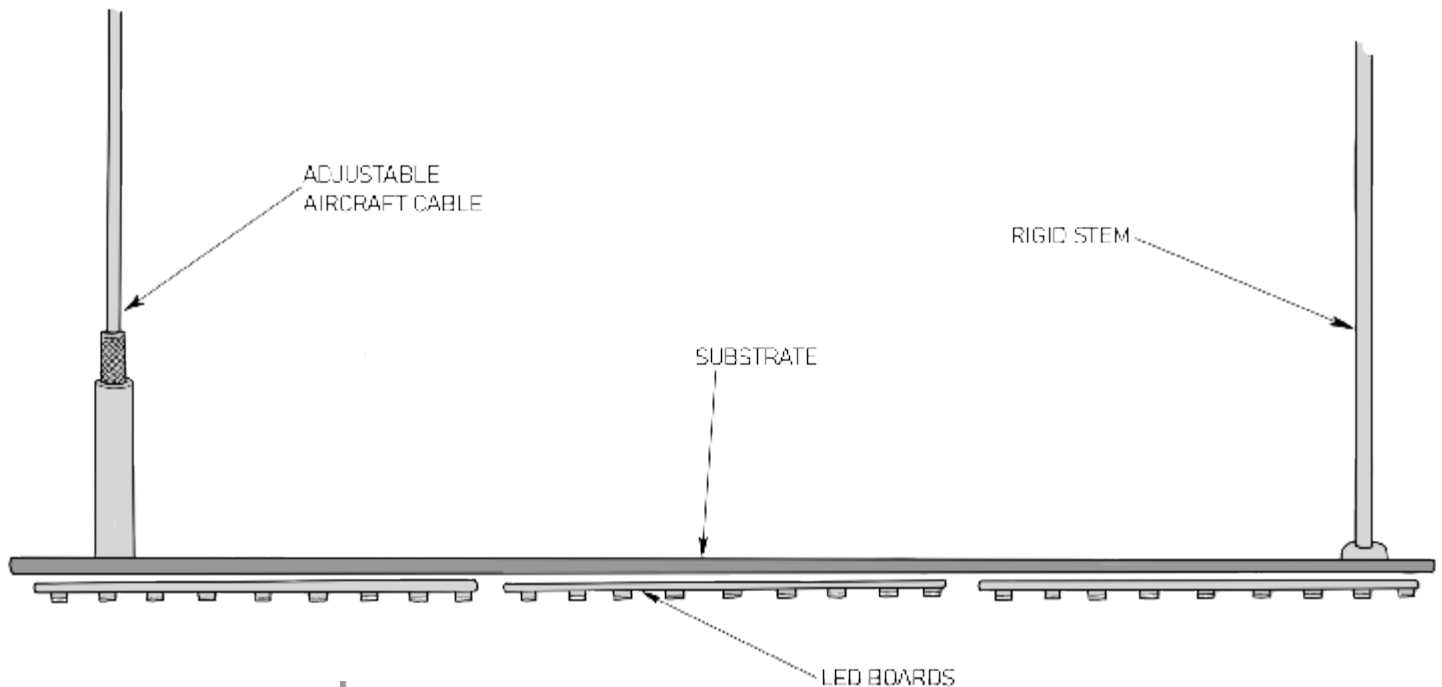
### MOUNTING OPTIONS

#### SURFACE FLAT PANEL

Boards are attached to surface mount rails to maintain consistent lighting pitch for a seamless lighting appearance



#### PENDANT RIGID STEM OR ADJUSTABLE CABLE



# nanoboard

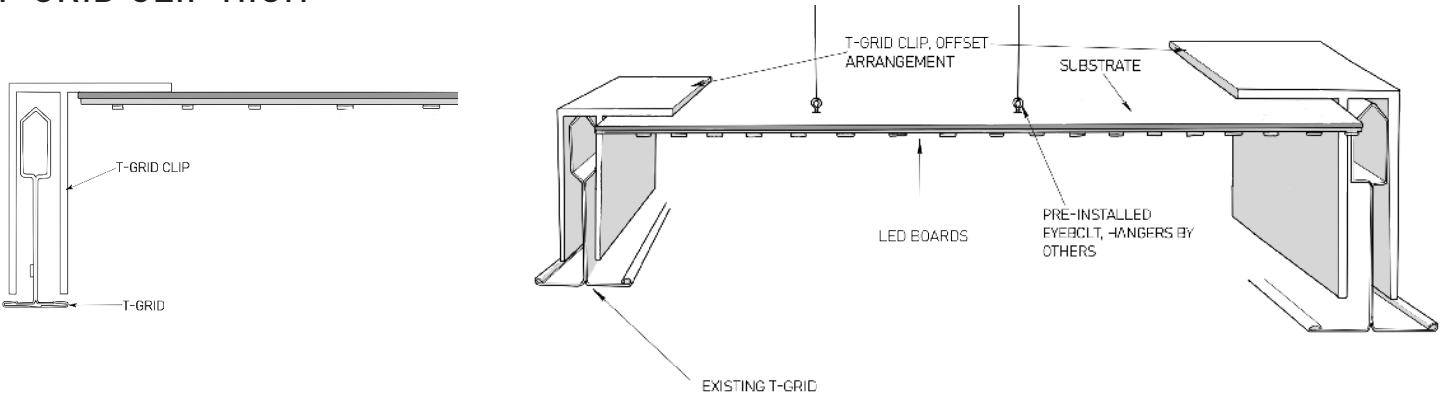
## NanoBoard Shape

### MOUNTING OPTIONS

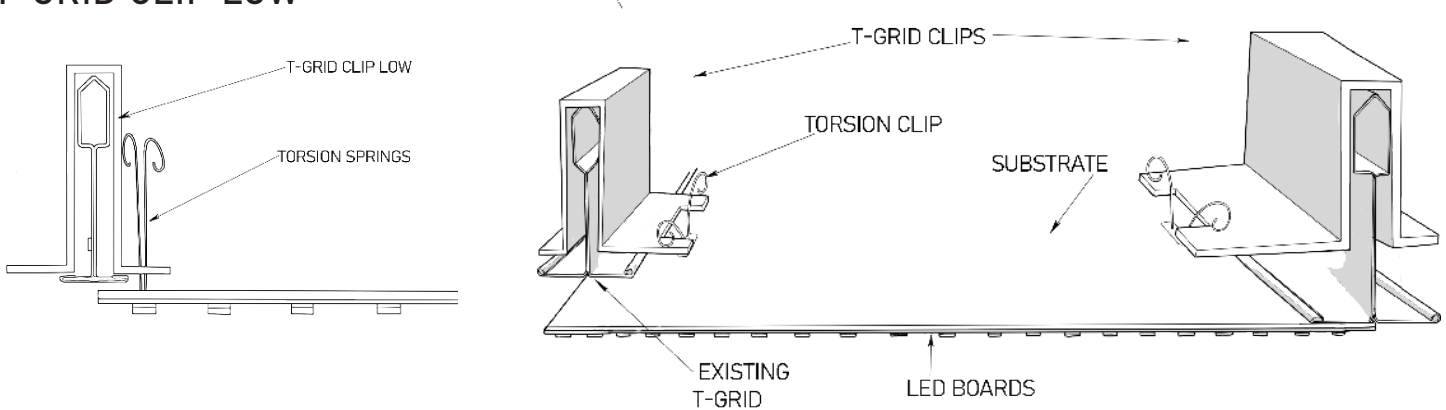
#### RECESSED

LED boards are mounted to T-grid ceilings with staggered clips for minimal interference while still providing a stable, consistent mount. NanoBoard Shape panels are equipped with a special backing panel to mask any gaps between the fixture and the T-grid.

#### T-GRID CLIP HIGH

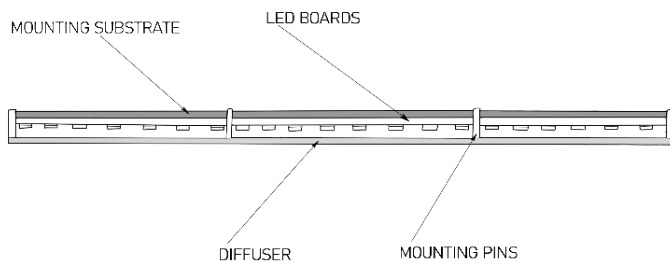


#### T-GRID CLIP LOW

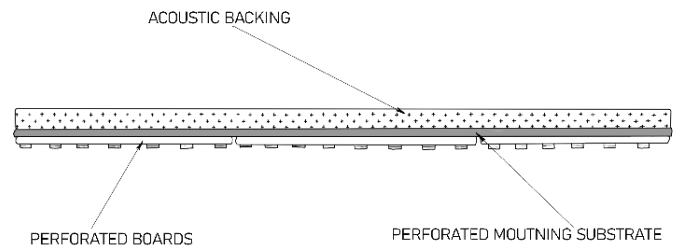


### NANOBOARD OPTIONS

#### 80% OR 50% TRANSMISSION DIFFUSOR



#### QUANTUM ACOUSTIC



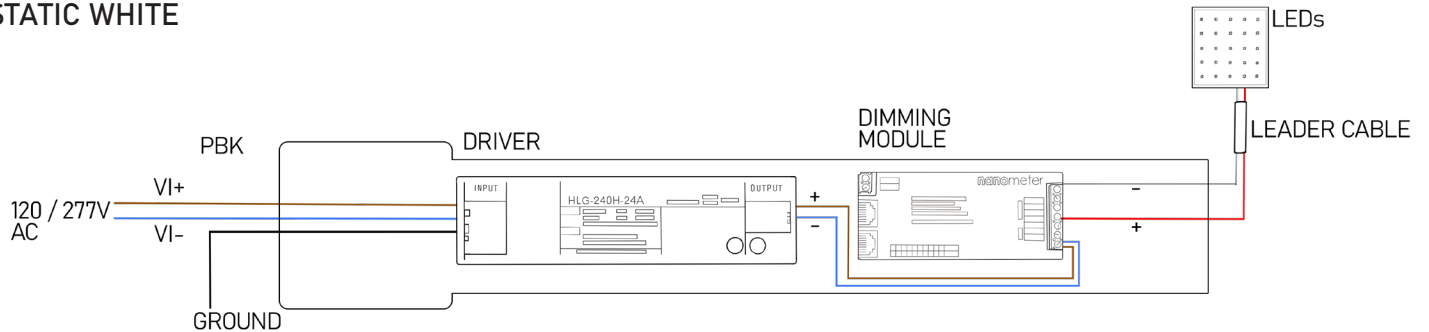
# nanometer

# nanoboard

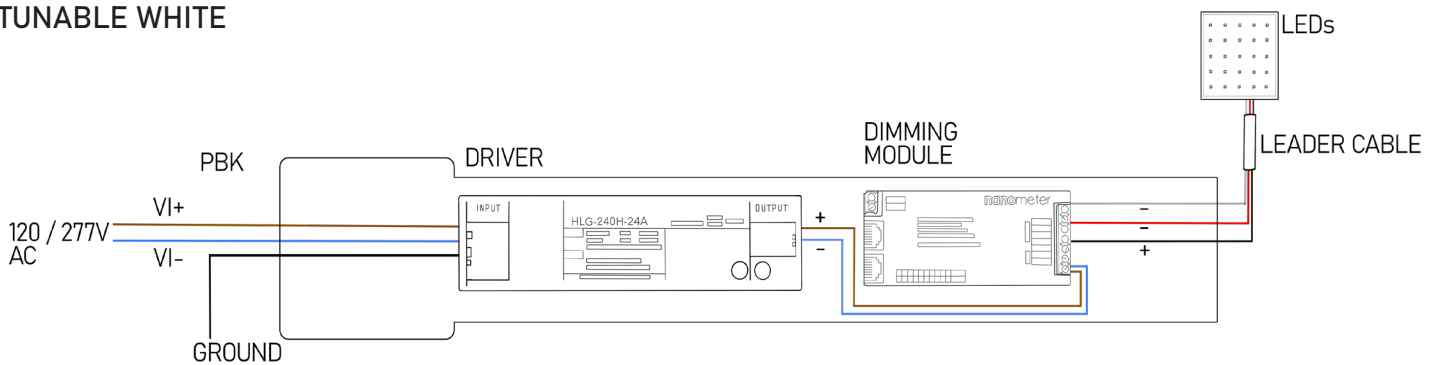
## NanoBoard Shape

### WIRING DIAGRAMS

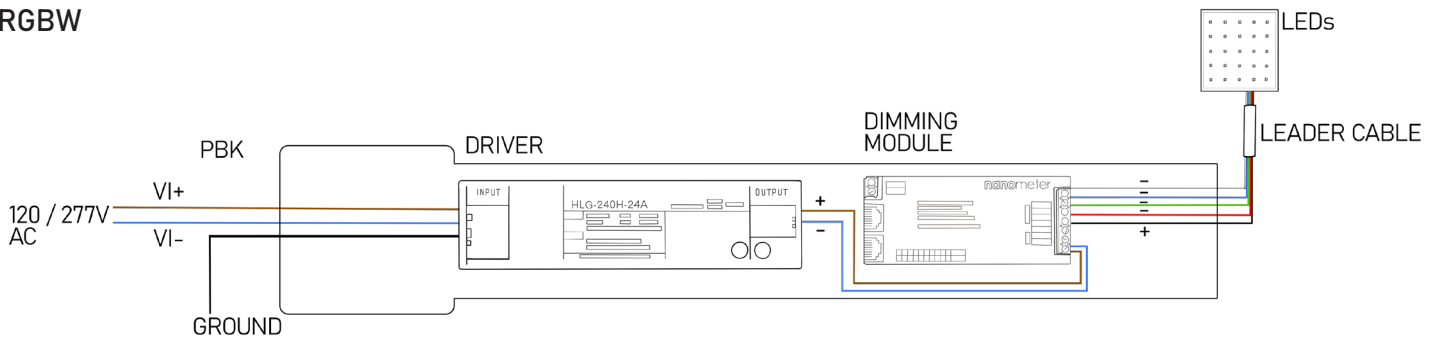
#### STATIC WHITE



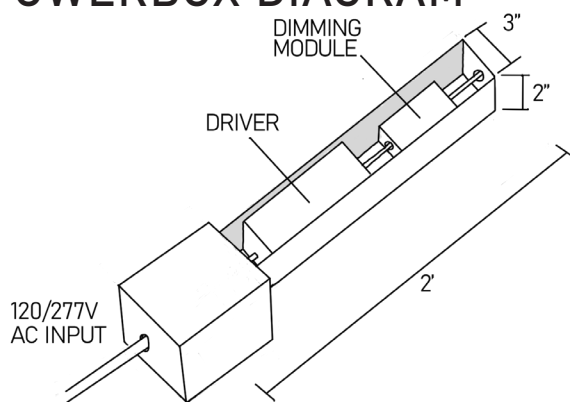
#### TUNABLE WHITE



#### RGBW



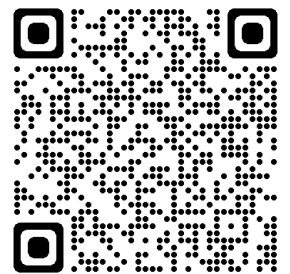
### POWERBOX DIAGRAM



Wire Size (AWG)	Distance (ft.)
18	25
14	50
10	100

Data based on a Class 2 load.

Provided standard 10' 18 AWG leader.  
Driver can be removed at various maximum distance.  
Distance will vary with load; please verify before release.



Learn more about the NanoBoard product family at [nanoltg.com](http://nanoltg.com).