

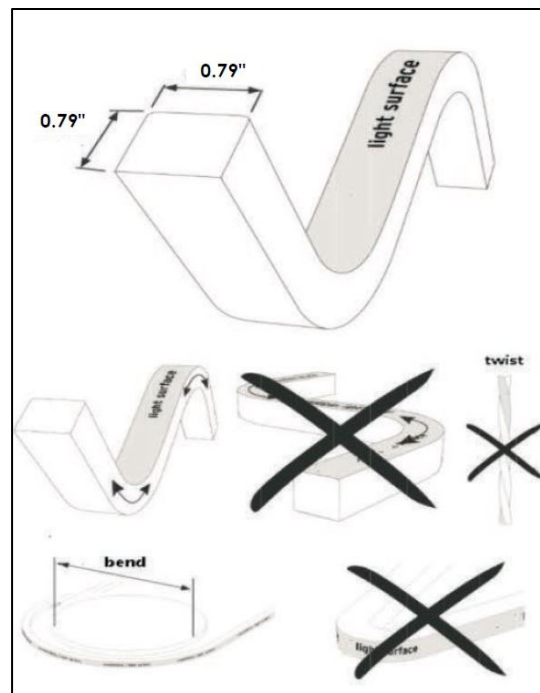
# nanometer lighting

## Installation Instructions of C16W-P-TB

- Please read instructions carefully before attempting to install fixture and retain instructions for future reference.
- Before making any wiring connections, make sure power is disconnected.
- Electrical connections need to comply with National Electrical Code and Local Electrical Code.
- The fixture should be installed by a licensed electrician.
- Use gloves during installation to protect surface from dirt and fingerprints.
- Please contact manufacturer for any technical inquiries.

### Stepwise Instructions (For Surface & Recessed mounting only):

**Step 1:** For top bend luminaire, minimum bending diameter of luminaire is 7.87" & minimum twist degree per 1.97" is 6°.

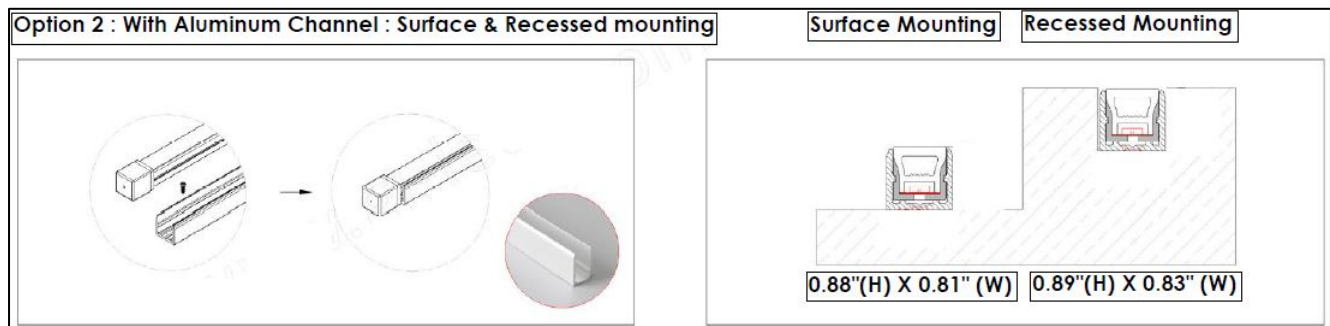
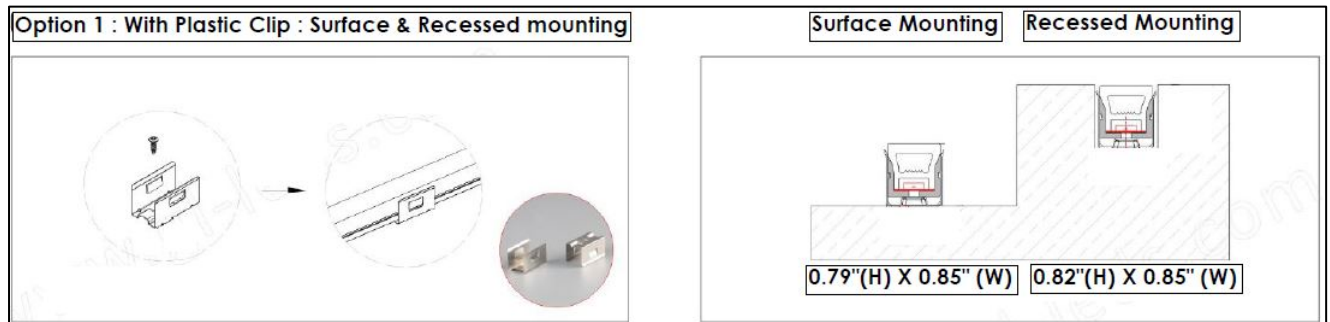


57-10 49<sup>th</sup> Place Maspeth, N.Y. 11378  
Phone : 718-497-0394  
FAX : 718-821-3916  
[www.nanoltg.com](http://www.nanoltg.com)

# nanometer lighting

**Step 2:** Before installing fixture on mounting surface, make sure surface is clean and straight.

- There are two mounting accessories options for either recessed or surface mounting. Please see below.



57-10 49<sup>th</sup> Place Maspeth, N.Y. 11378  
Phone : 718-497-0394  
FAX : 718-821-3916  
[www.nanoltg.com](http://www.nanoltg.com)