

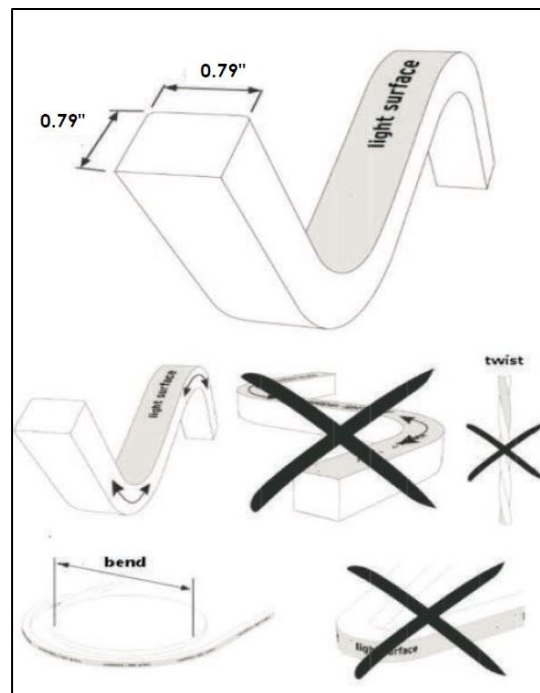
nanometer lighting

Installation Instructions of T16W-TB

- Please read instructions carefully before attempting to install fixture and retain instructions for future reference.
- Before making any wiring connections, make sure power is disconnected.
- Electrical connections need to comply with National Electrical Code and Local Electrical Code.
- The fixture should be installed by a licensed electrician.
- Use gloves during installation to protect surface from dirt and fingerprints.
- Please contact manufacturer for any technical inquiries.

Stepwise Instructions (For Surface & Recessed mounting only):

Step 1: For top bend luminaire, minimum bending diameter of luminaire is 7.87" & minimum twist degree per 1.97" is 6°.

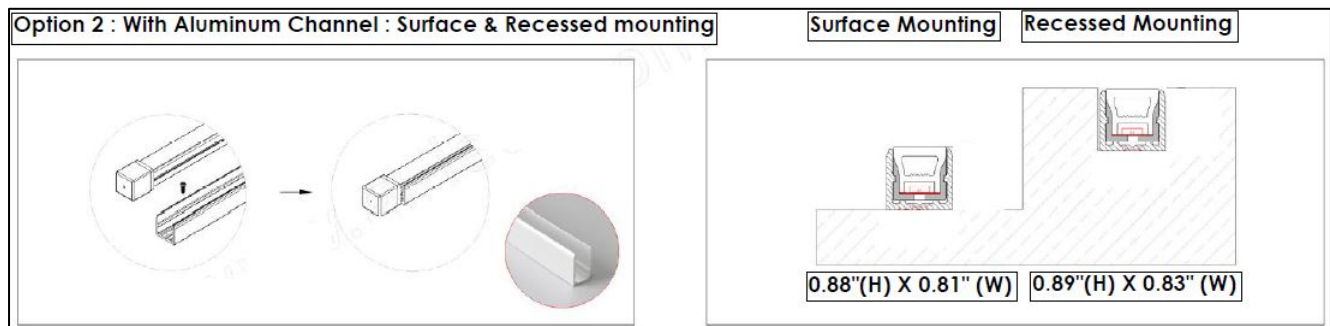
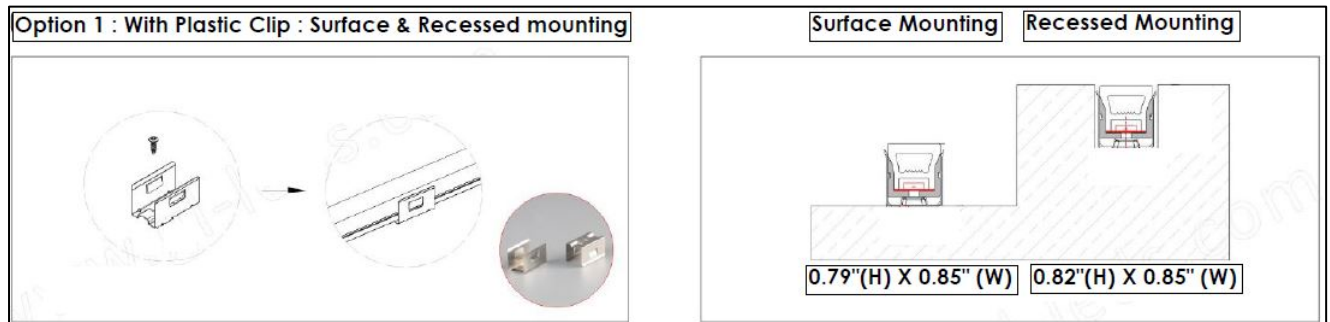


57-10 49th Place Maspeth, N.Y. 11378
Phone : 718-497-0394
FAX : 718-821-3916
www.nanoltg.com

nanometer lighting

Step 2: Before installing fixture on mounting surface, make sure surface is clean and straight.

- There are two mounting accessories options for either recessed or surface mounting. Please see below.



57-10 49th Place Maspeth, N.Y. 11378
Phone : 718-497-0394
FAX : 718-821-3916
www.nanoltg.com