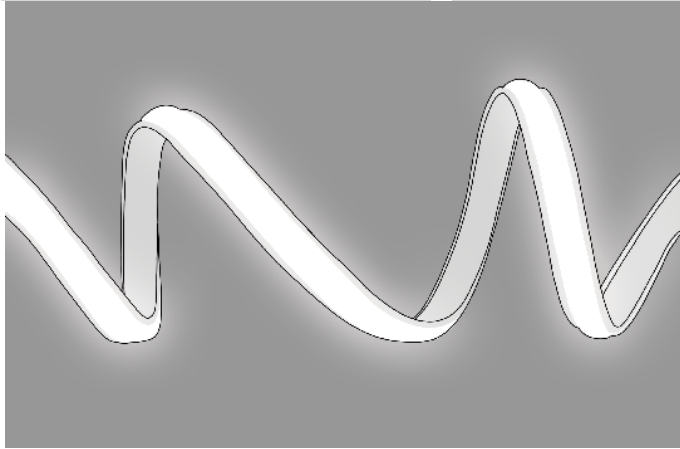


TYPE

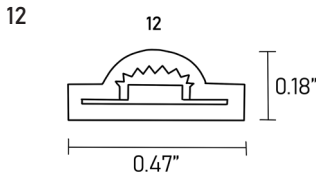
PROJECT NAME



nanoflex

NanoFlex Eco

This ultra-flexible and low-profile top-bend luminaire provides homogenous, dot-free illumination for indoor or outdoor use, all with both high power and high efficiency. With multiple options, the NanoFlex Eco is customizable and is perfect for accent lighting on even the most irregular of surfaces. Available in lengths up to 164 feet and extremely lightweight, the Eco is easy to cut and mount onsite with provided surface clips.



CONFIGURATION

SAMPLE ORDER CODE:
NFX-E-12-T-27-65-WD-9-SO-96-P1-MC-BK

CATALOG NUMBER	TYPE	LED TYPE	CCT	DIMMING	CRI	OUTPUT
NFX-E-	12 12MM	S STATIC	27 2700K 30 3000K 35 3500K 40 4000K 50 5000K	10 0-10V Static only DX DMX DA DALI 10X DUAL 0-10V Tunable only WD WARM DIM Tunable only EV PHASE Static only POE Static only LAT LUTRON ATHENA 0 OTHER Contact manufacturer for more options	8 80+ 9 90+ 80 CRI not available for Tunable White	S0 STANDARD HE HIGH EFFICIENCY Static White only.
		T TUNABLE WHITE	27-65 27-65K			

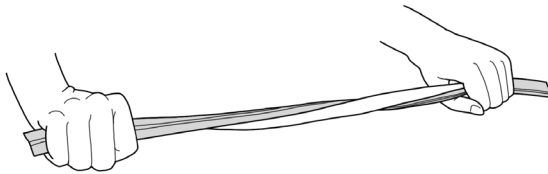
LENGTH (in.)	FEED LOCATION	MOUNTING	MOUNTING FINISH
Max length: 164'	P1 END FEED	CL SURFACE CLIP	WH WHITE
		CC CONTINUOUS CHANNEL	BK BLACK AL ALUMINUM

TECHNICAL SPECS

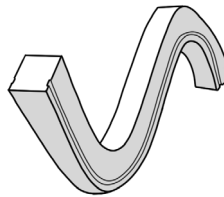
Input Voltage	120-277AC - Remote Power Required
Minimum Bending Diameter	Top bend: 1.6"
Maximum Twist Degree	360° / 39.4 in.
Beam Angle	150°
Ambient Temperature IP67	-4°F to 113°F
Weight	0.03 lbs/ft.
Max. run per leader cable	16.4'

Do not bend or twist past the maximum allowance. Doing so may cause irreparable damage to the fixture. The NanoFlex Eco does NOT side bend.

 MAX. TWIST IS 360° PER 39.4"



CAN TOP-BEND



PHOTOMETRIC DATA & CUT INCREMENTS

	LED TYPE	OUTPUT	CUT INCREMENT	WATTS/FT	LUMENS/FT	
					80+ CRI	90+ CRI
	STATIC WHITE (4000K)	STANDARD	EVERY 1.04"	4.3	620	530
	STATIC WHITE (4000K)	HIGH-EFFICIENCY	EVERY 1.04"	5.8	800	680
	TUNABLE WHITE (WW-CW)	STANDARD	EVERY 1.41"	4.3	--	410



Always ensure power is off before cutting,

STATIC WHITE CCT FACTORS

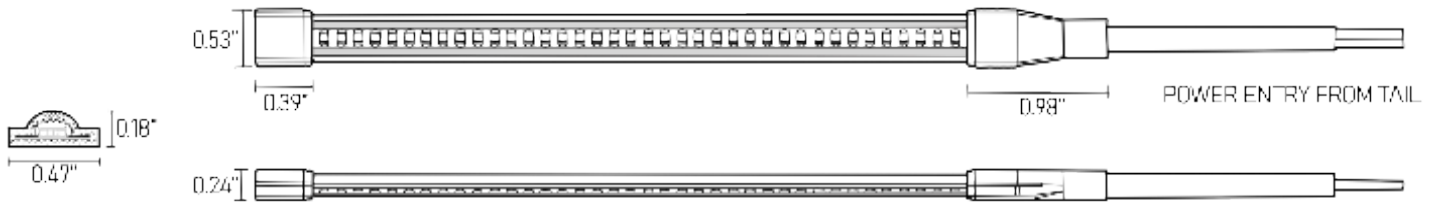
2700K	0.9
3000K	0.95
3500K	0.95
4000K	1.0
5000K	1.0

nanoflex

NanoFlex Eco

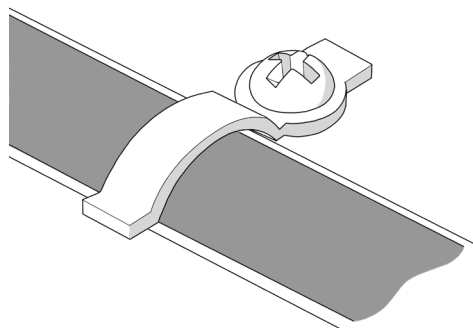
FEED OPTIONS

END FEED



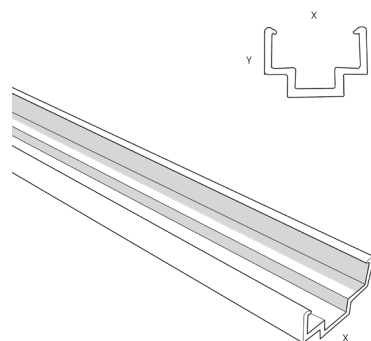
MOUNTING OPTIONS

SURFACE CLIP



Recommended 12" spacing between clips.

CONTINUOUS CHANNEL



	X	Y
12	0.51"	0.35"

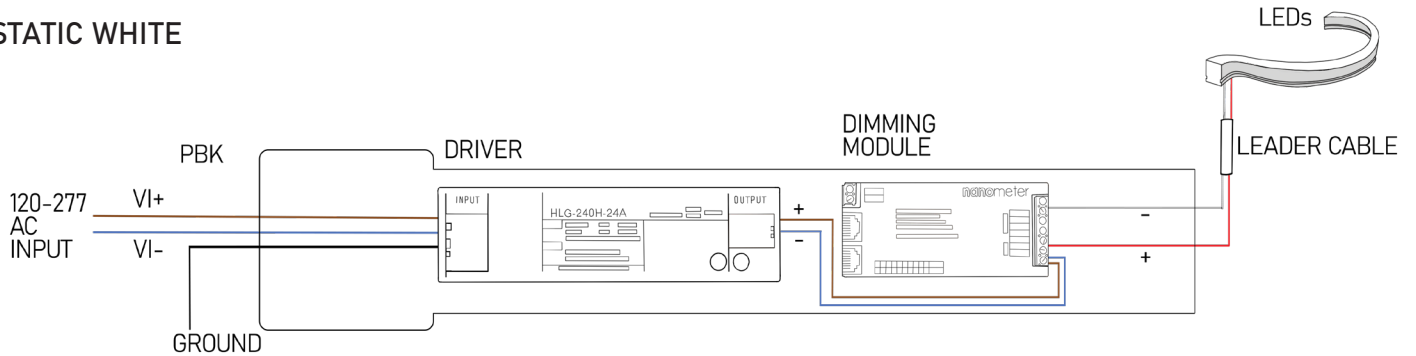
nanometer

lighting 57-10 49th place, maspeth, ny, 11378 | 718.497.0394 | nanoltg.com

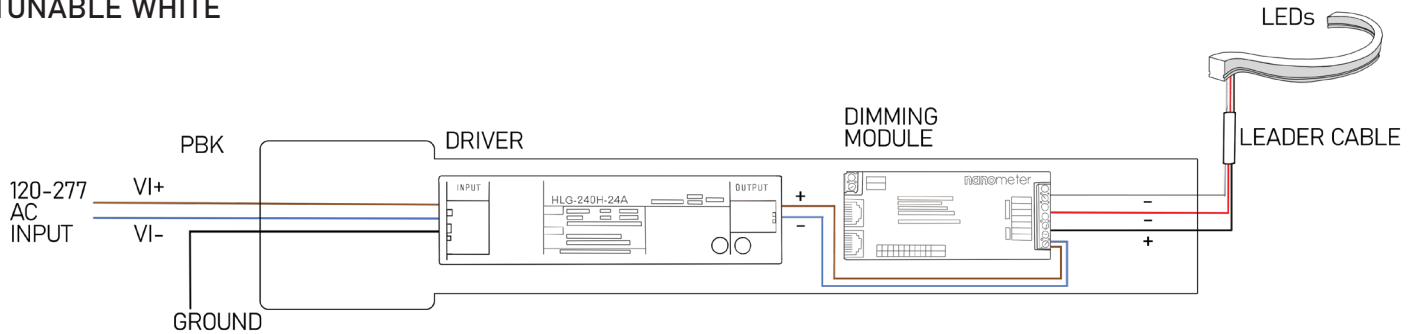
1/23/2024

WIRING DIAGRAMS

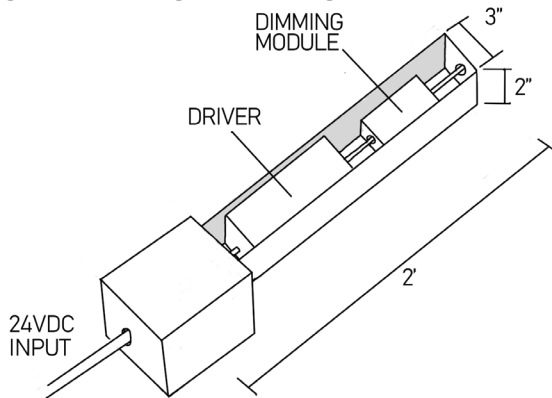
STATIC WHITE



TUNABLE WHITE



POWERBOX DIAGRAM

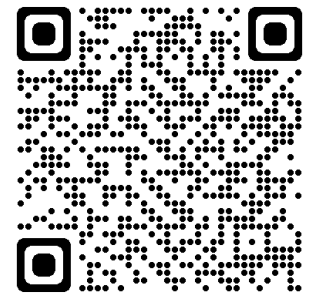


Wire Size (AWG)	Distance (ft.)
18	25
14	50
10	100

Data based on a Class 2 load.

Provided standard 10' 18 AWG leader.
Driver can be remoted at various maximum distance.

Distance will vary with load; please verify before release.



Learn more about the NanoFlex product family at nanoltg.com.