

nanometer lighting

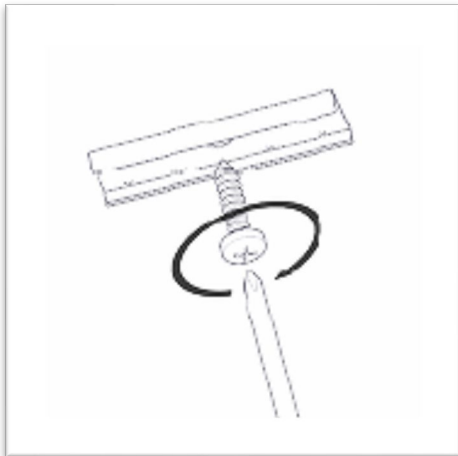
Installation Instructions of 'Product Series 18W'

- Please read instructions carefully before attempting to install fixture and retain instructions for future reference.
- Before making any wiring connections, make sure power is disconnected.
- Electrical connections need to comply with National Electrical Code and Local Electrical Code.
- The fixture should be installed by a licensed electrician.

Stepwise Instructions (For Surface mounting only):

Step 1: Before installing fixture on mounting surface, make sure surface is clean and straight.

Step 2:

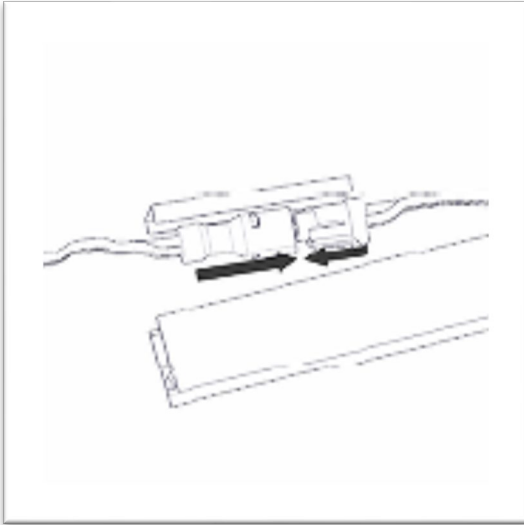


Screw in the mounting bracket on the surface where lighting fixture is going to mount. Mounting bracket should be mounted at every one foot.

57-10 49th Place Maspeth, N.Y. 11378
Phone : 718-497-0394
FAX : 718-821-3916
www.nanoltg.com

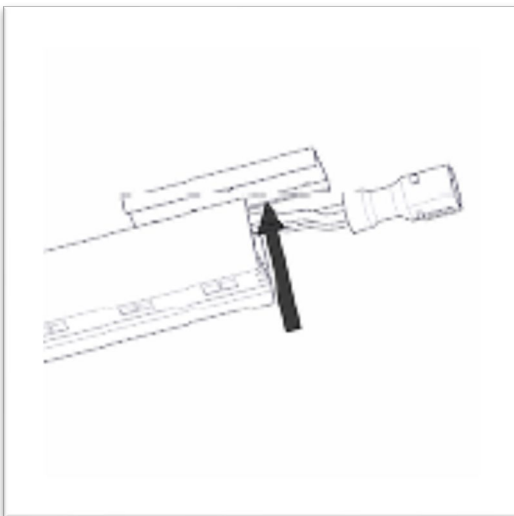
nanometer lighting

Step 3:



Plug in the connector of first lighting fixture to leader cable and eventually to driver.

Step 4:

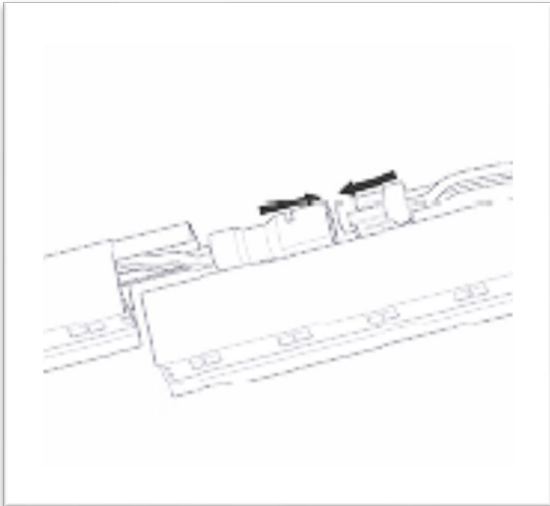


Mount the first light fixture on to mounting bracket. Push fixture on to mounting bracket with increasing strength until it clicp on.

57-10 49th Place Maspeth, N.Y. 11378
Phone : 718-497-0394
FAX : 718-821-3916
www.nanoltg.com

nanometer lighting

Steps 5:



- **Connect the connector from second lighting fixture to first lighting fixture. (This step is not applicable all time. Please follow shop drawing every time)**
- **Make sure the gap between two profiles is small as possible.**
- **To connect more light fixtures repeat above procedure.**