

nanometer lighting

Installation Instructions of 'Product Series 7'

- Please read instructions carefully before attempting to install fixture and retain instructions for future reference.
- Before making any wiring connections, make sure power is disconnected.
- Electrical connections need to comply with National Electrical Code and Local Electrical Code.
- The fixture should be installed by a licensed electrician.

Stepwise Instructions (For Surface mounting only):

Step 1:

Before installing fixture on mounting surface, make sure surface is clean and straight.

Step 2:

Image 1 shows 7 series fixture and Image 2 shows dimensions of that.



Image 1 : 7 Series fixture

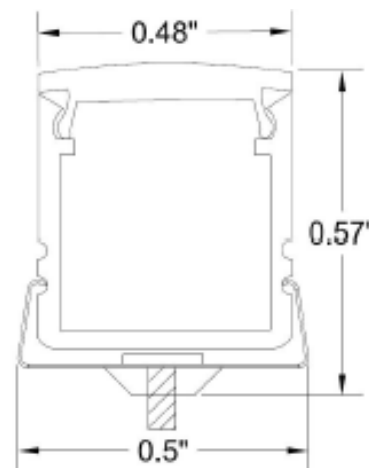


Image 2 : 7 Series fixture dimension with mounting clips

Fixture is supplied with soldered connector.

57-10 49th Place Maspeth, N.Y. 11378
Phone : 718-497-0394
FAX : 718-821-3916
www.nanoltg.com

nanometer lighting

Step 3:

If two fixtures are connected with each other then leave ½” gap between two fixtures to run connectors.

Step 4:

The 13 series fixture is mounted using mounting clip.

- Mounting clip should mount at every one feet.
- First need to drill mounting surface and place mounting clip there.
- Linear fixture should mount according to drawing onto mounting clip.
- 3/16” self-top countersunk screw should use for mounting.

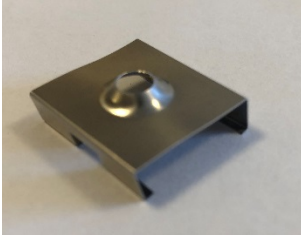


Image 3 : Mounting Clip

Steps 5:

Always follow drawing to mount fixture and color sign for wiring diagram to driver/driver box.