

# nanometer lighting

## **Installation Instructions of 'Product Series 13'**

- Please read instructions carefully before attempting to install fixture and retain instructions for future reference.
- Before making any wiring connections, make sure power is disconnected.
- Electrical connections need to comply with National Electrical Code and Local Electrical Code.
- The fixture should be installed by a licensed electrician.

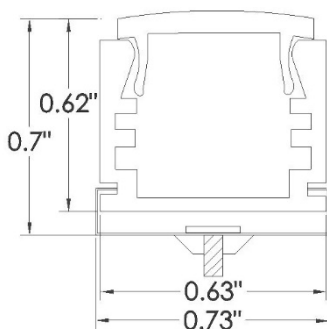
### **Stepwise Instructions (For Surface mounting only):**

#### **Step 1:**

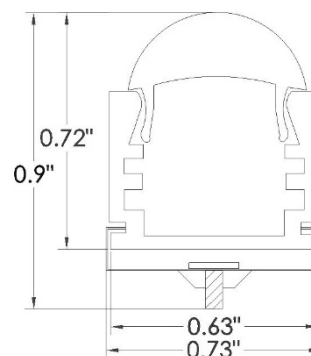
Before installing fixture on mounting surface, make sure surface is clean and straight.

#### **Step 2:**

Image 1 shows 13 series fixtures with FR lens and Image 2 shows 13 series fixtures with FRD dimensions of that.



***Image 1 : 13 Series fixture with frosted lens and mounting clips***



***Image 2 : 13 Series fixture with FRD lens and mounting clips***

Fixture is supplied with soldered connector.

57-10 49<sup>th</sup> Place Maspeth, N.Y. 11378  
Phone : 718-497-0394  
FAX : 718-821-3916  
[www.nanoltg.com](http://www.nanoltg.com)

# nanometer lighting

---

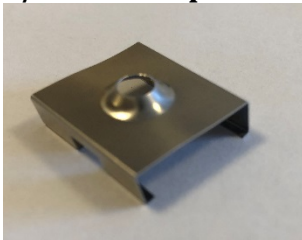
### **Step 3:**

If two fixtures are connected with each other then leave ½” gap between two fixtures to run connectors.

### **Step 4:**

The 13 series fixture is mounted using mounting clip.

- Mounting clip should mount at every one feet.
- First need to drill mounting surface and place mounting clip there.
- Linear fixture should mount according to drawing onto mounting clip.
- 3/16” self-top countersunk screw should use for mounting.



*Image 3 : Mounting Clip*

### **Steps 5:**

Always follow drawing to mount fixture and color sign for wiring diagram to driver/driverbox.