

NANOMETER LIGHTING

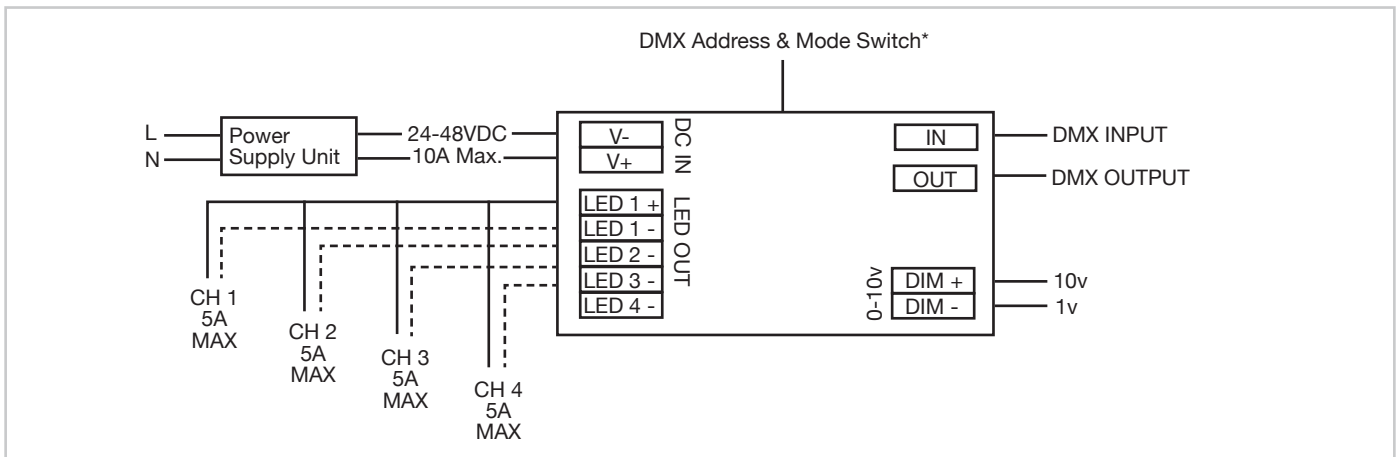


Model: DM4

5A*4channels DMX &
1-10V Analogue Dimmer

Specification

Input Power	24-55VDC
Dimming Signal	DMX512 & 1-10V Analogue
Power Dissipation	<1W
Output Power	24-52VDC, 5A Max per Output
Operating Temp.	0-70°C
Dimensions	6.9" x 1.77" x 1.38"
DMX Input	RJ45 Pin 1: Data + Pin 2: Data - Pin 7: GND Pin 8: GND



DMX Addressing

1. All dip switches must be off for 1-10v control.
2. Dip switch 10 'OFF' = 1 address for all channels.
3. Dip switch 10 'ON' = sequential address for each channel i.e if address 1 is selected. i.e: Channel 1 = 1, channel 2 = 2, etc.

