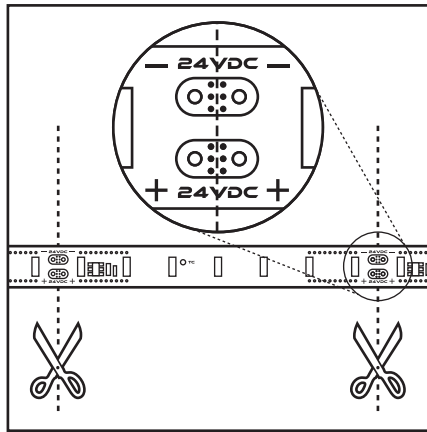
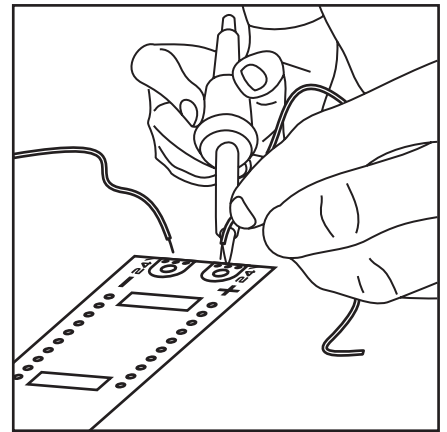


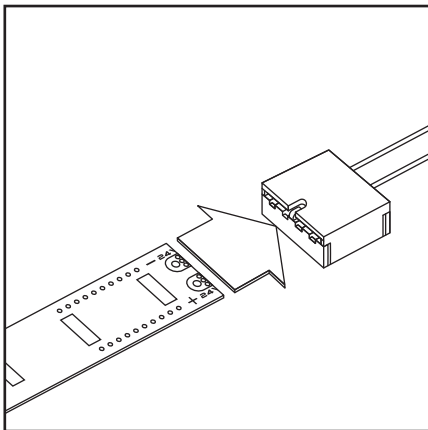
1 Make sure the surface on which the LED tape is to be applied is flat, smooth, dry and clean.



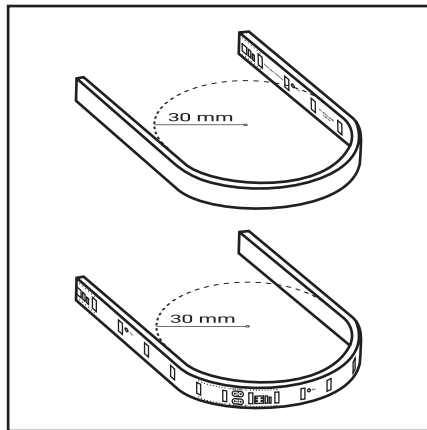
2 LED tape can be cut only between soldering pads.



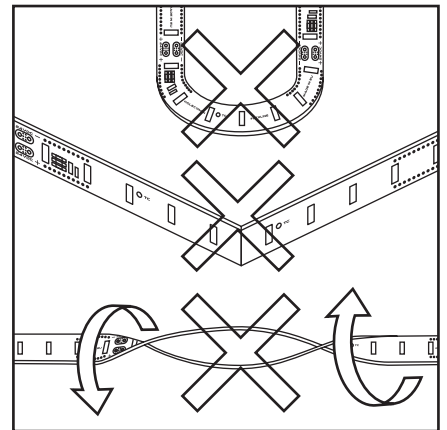
3 Solder wires on soldering pads [labelled 24V +/-]. The solder temperature may not exceed 350°C for maximum duration of 2 seconds.



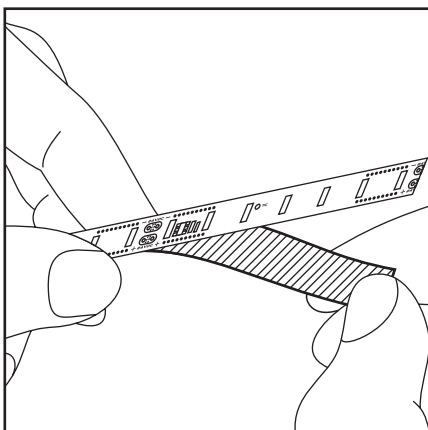
4 You can also connect strips using LED tape connectors.



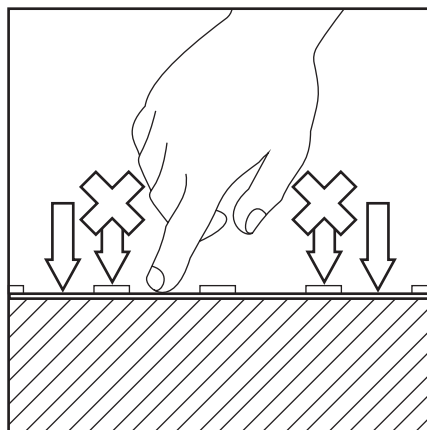
5 LED tapes are bendable. Minimum bend radius is 30 mm.



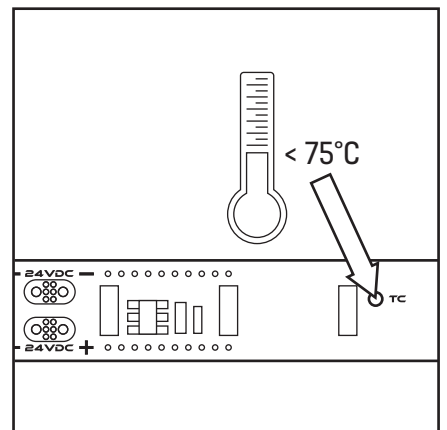
6 LED tapes cannot be bent or twisted in the demonstrated directions.



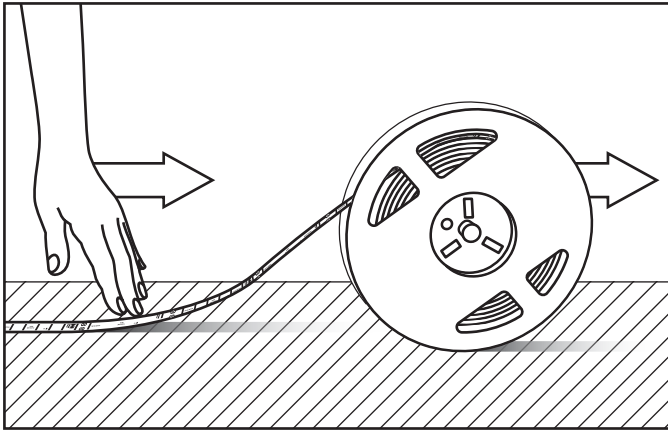
7 Remove the adhesive tape from the back side of the LED tape.



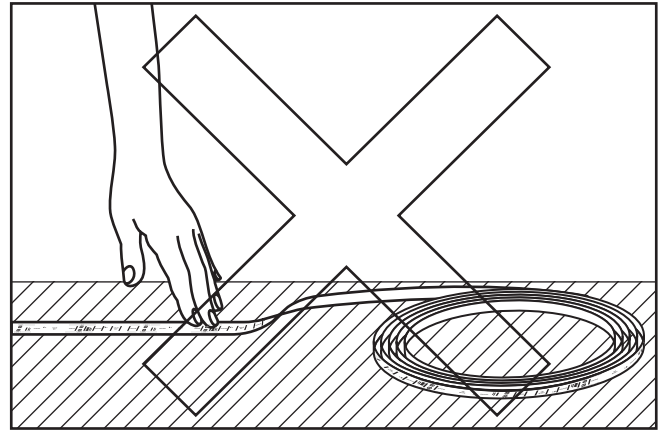
8 Press the LED tape gently between electronic components to stick it to the surface. Avoid pressing electronic components.



9 LED tapes must be installed on aluminum [or material with similar thermal conduction] to avoid LEDs overheating and ensure proper heat dissipation. Measure TC temperature after 30 minutes of operation. TC temperature should not exceed 75°C.



✓ Keep the LED tape on the reel while applying it onto the surface. Remove the adhesive tape and apply the tape while unrolling the reel at the same time.



✗ DO NOT roll out whole LED tape out of the reel before applying it to the surface. Doing so, will prevent the strip from twisting and bending in sharp corners, which can cause damage to LED components.

⚠ Safety information

- LED tapes (and power supplies) may only be installed in accordance with all applicable regulations and standards by an accredited electrician.
- Pressing LEDs and electronic components too firmly will cause damage.
- Avoid looking directly at the LEDs when they are on.
- Proper cooling by mounting on metallic surfaces must be ensured.
- The maximum length to be driven of a single unit in series is given in the product's datasheet. Exceeding maximum length will cause serious damage.
- Only an electrical parallel circuit provides a safe operational state.
- Mechanical stress and damages on LED tapes are to be avoided during installation.
- The LED tapes may only be operated with power supplies with short-circuit, overload and over-temperature protections.
- Pay attention to the correct polarity.
- LED tapes may only be turned on when rolled out.
- Avoid electrostatic discharge (ESD) during mounting.

LED tapes shall be operated with Listed or Recognized Class 2 LED Driver or Limited Power source.