

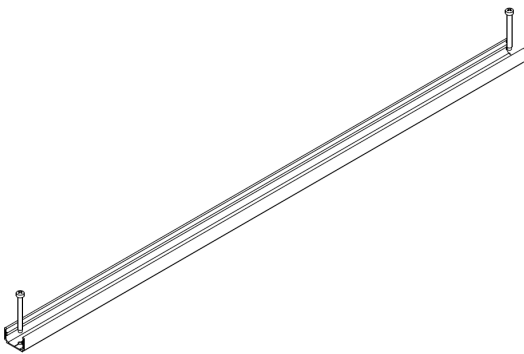
nanometer lighting

L22 & T22 Installation Guide

- Please read instructions carefully before attempting to install fixture and retain instructions for future reference.
- Before making any wiring connections, make sure power is disconnected.
- Electrical connections need to comply with National Electrical Code and Local Electrical Code.
- The fixture should be installed by a licensed electrician.

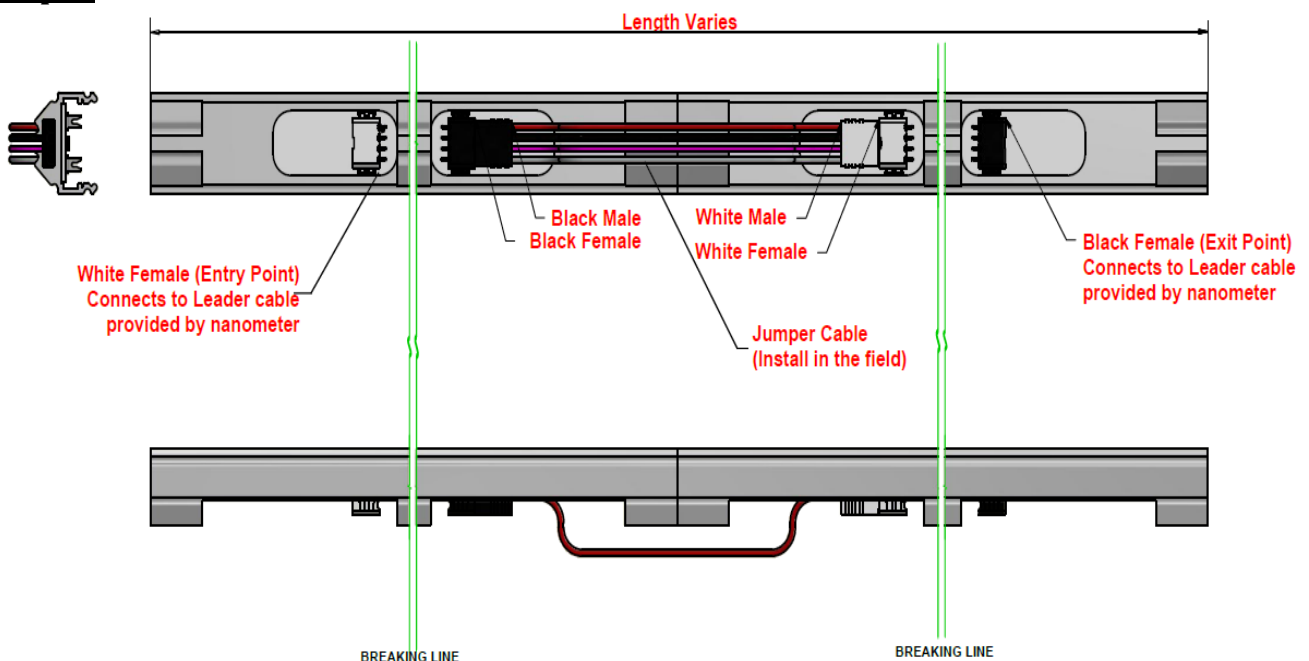
Stepwise Instructions :-

Step 1:



Place the Small Wiring Channel in location and fix with screws if necessary.

Step 2:



- Connect two adjacent fixtures using jumper cable provided by nanometer.
- Every jumper cable has two male side connector with color code of black and white.

57-10 49th Place Maspeth, N.Y. 11378

Phone : 718-497-0394

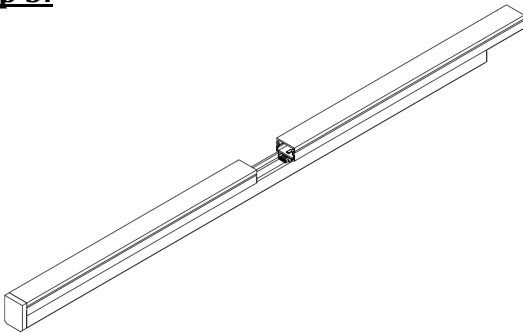
FAX : 718-821-3916

www.nanoltg.com

nanometer lighting

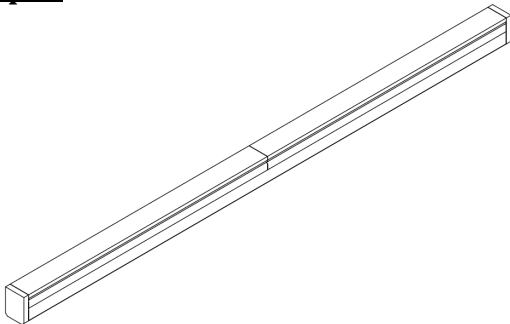
- Black side of jumper cable connects to black female plug of lighting fixture. (As shown in above image)
- White side of jumper cable connects to white female plug of lighting fixture. (As shown in above image)
- Entry and Exit point of lighting fixture connects to leader cable provided by nanometer. (Please follow wiring diagram from Nanometer shop drawing)

Step 3:



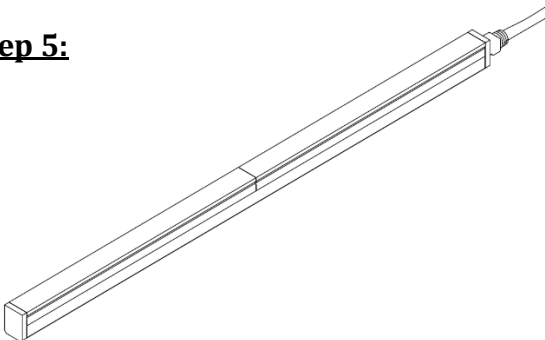
Place the L22/T22 light fitting into the small wiring channel.

Step 4:



Push the light fixtures together to make the connection between boards and then put the necessary Endcaps onto the ends of the light fixture.

Step 5:



Connect Cable to the open end of the light fixture.

Keep these instructions to refer to for any necessary maintenance.

57-10 49th Place Maspeth, N.Y. 11378

Phone : 718-497-0394

FAX : 718-821-3916

www.nanoltg.com