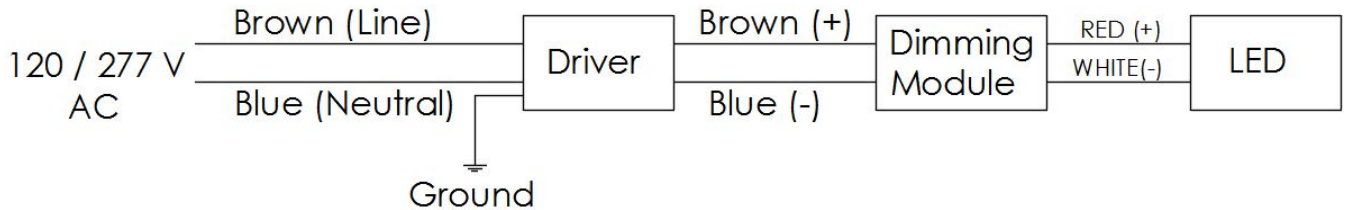
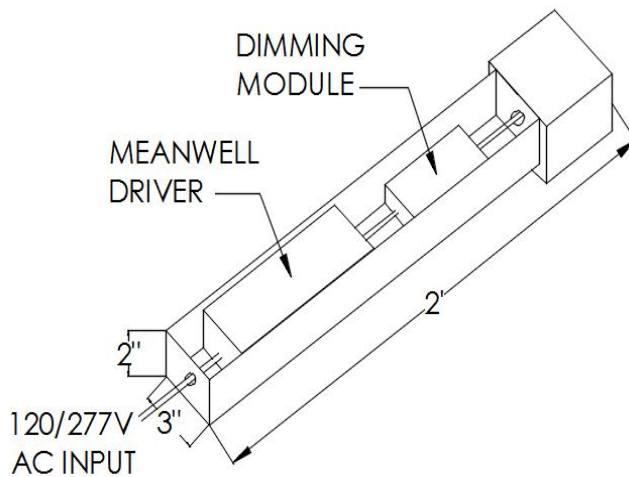


# NANOMETER LIGHTING

## WIRING DIAGRAM - STATIC WHITE PLANAR



## POWERBOX DIAGRAM



Standard 10' 18 AWG with Driver provided

Driver can be remoted at various maximum distance\*

Wire Size (AWG)	Distance (feet)
18	25
14	50
10	100

\*DISTANCE VARY WITH LOAD. PLEASE VERIFY IT BEFORE RELEASE.

**DISCLAIMER:**  
BE SURE TO VERIFY ALL WATTAGES, DIMENSIONS AND LENGTHS DUE TO RAPIDLY CHANGING TECHNOLOGY

073018

**nanometer**  
lighting

57-10 49th place  
maspeth, ny 11378

p. 718.497.0394  
f. 718.821.9316