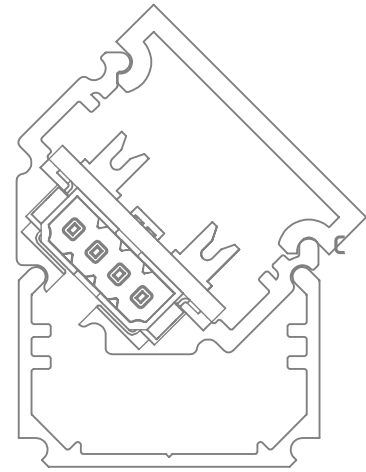
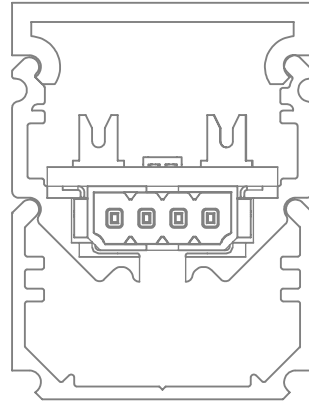
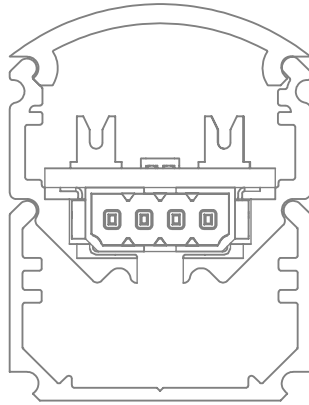
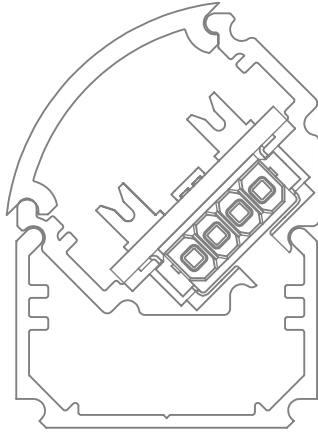


2

1

B

B



A

A

NOTES:	UNLESS OTHERWISE SPECIFIED:	NAME	DATE	nanometer lighting 57-10 49th place maspeth, ny 11378 p.718.497.0394 f.718.821.9316	
	DIMENSIONS ARE IN INCHES TOLERANCES: FRACTIONAL ± ANGULAR: MACH ± BEND ± TWO PLACE DECIMAL ± THREE PLACE DECIMAL ±	DRAWN		10/14/15	TITLE: L24 Assembly
INTERPRET GEOMETRIC TOLERANCING PER:	CHECKED				
MATERIAL	ENG APPR.			SIZE DWG. NO. REV	
FINISH	MFG APPR.				
	Q.A.			SCALE:1:30 SHEET 1 OF 1	
DO NOT SCALE DRAWING	COMMENTS:				

PROPRIETARY AND CONFIDENTIAL
 This print is the property of Nanometer Lighting and is issued upon the condition that it will not be used directly or indirectly, in any way detrimental to our interests, and that it will not be used to our interests, and that it will not be disclosed to a third party without the prior written consent of Nanometer Lighting, 57-10 49th Place, Maspeth, NY 11378 Phone (718) 497-0394 Fax(718) 821-9316

2

1