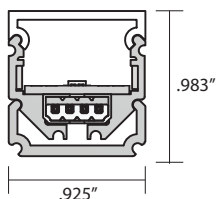


T22



shown with endcap

QUICK VIEW



shown with the QW1 lens

QUICK FACTS

28 diodes per foot, 11MM on-center

82+ CRI

Fully configurable for various sizes

Available in 2700K, 3000K, 3500K, 4000K, Red, Blue, Green, Amber

Up to 1200 lumens* per foot

Plug and play long continuous runs

DMX Controlled

Operating temperature -10F to 102F

50,000 HRL at L70 @ 50C

70,000HRL at L70 @ 25C

5 Year Limited Warranty

ETL Listed

Static White see "L22"

RGB and RGBW see "C22"

Accessory options, wiring compartments, optics, end caps and mounting; see the L22 Options page

*VO version, driver & lens losses not included

APPLICATION

Available in a variety of standard sizes and outputs to fit almost any architectural application. Fixtures may be plugged together for no shadow, seamless runs up to 48 feet^ or used as individual luminaires with easy-snap end caps. The unique plug and play system allows for a quick, easy installation with consistent pitch spacing. Great for millwork, niches, suspended lines, coves or slots.

Populated with alternating CCT LEDs mounted 11MM on center to an aluminum substrate for superior thermal dissipation. Additional features of the T22 include one piece lower profile housing, positive engagement end connectors and robust leader cables for easy energizing and remote wiring. The T22 offers complete system flexibility; 6 standard sizes readily available with custom lengths and illuminated corners built to order.

The T22 is a low voltage, remote driver system bright enough for general illumination or available with lower outputs for a warm glow. Optional lensing, optics and beam angles are available, please consult factory.

LIGHT OUTPUT & POWER CONSUMPTION

SIZE	VERY HIGH OUTPUT		HIGH OUTPUT		MEDIUM OUTPUT		STANDARD OUTPUT	
	Lumens*	Watts	Lumens	Watts	Lumens	Watts	Lumens	Watts
6"	VO 600 lm	5.5W	HO 450 lm	5.4W	MO 300 lm	3.6W	SO 200 lm	2.6W
12"	VO 1200 lm	10.9W	HO 900 lm	10.8W	MO 600 lm	6.72W	SO 400 lm	4.8W
18"	VO 1800 lm	16.4W	HO 1350 lm	16.2W	MO 900 lm	10.3W	SO 600 lm	7.4W
24"	VO 2400 lm	21.8W	HO 1800 lm	21.6W	MO 1200 lm	13.44W	SO 800 lm	9.6W
48"	VO 4800 lm	43.6W	HO 3600 lm	43.2W	MO 2400 lm	26.88W	SO 1600 lm	19.2W
72"	VO 7200 lm	65.4W	HO 5400 lm	64.8W	MO 3600 lm	40.32W	SO 2400 lm	28.8W

VERIFY ALL WATTAGES, DIMENSIONS AND LENGTHS DUE TO THIS RAPIDLY CHANGING TECHNOLOGY

ELECTRICAL

Auto-ranging 120V to 277V mains input

48VDC Constant Voltage output

DIMMING

DMX Controlled

FINISH

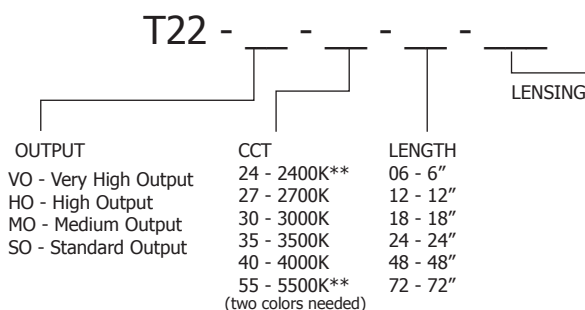
Anodized aluminum finish

Custom colors and finishes available, please consult factory

ORDERING INFORMATION

Example:

T22 - MO - 27 - 40 - 48 - QW1



- QW1 - Squared Opal Lens
- QC1 - Squared Clear Lens
- QS1 - Squared Semi-translucent Lens
- QW2 - High Squared Opal Lens
- QC2 - High Squared Clear Lens
- QS2 - High Squared Semi-translucent Lens
- RW1 - Round Opal Lens
- RC1 - Round Clear Lens
- RS1 - Round Semi-translucent Lens
- FW1 - Flat Opal Lens
- FC1 - Flat Clear Lens
- FS1 - Flat Semi-translucent Lens

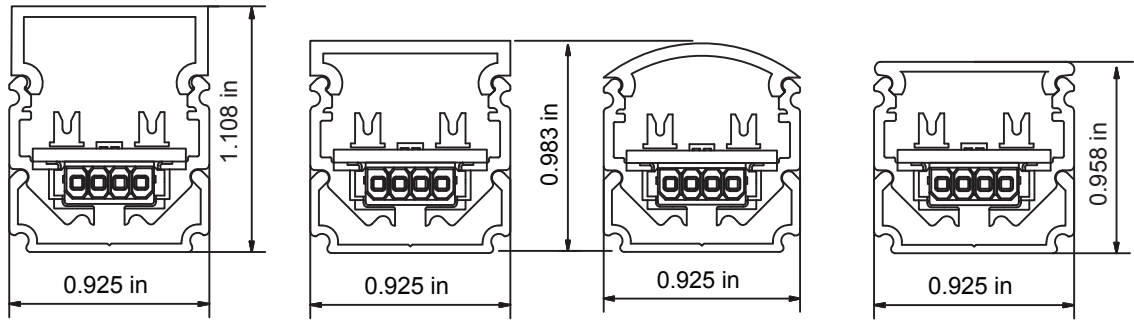
nanometer
lighting

57-10 49th place
maspeth, ny 11378
p. 718.497.0394
f. 718.821.9316

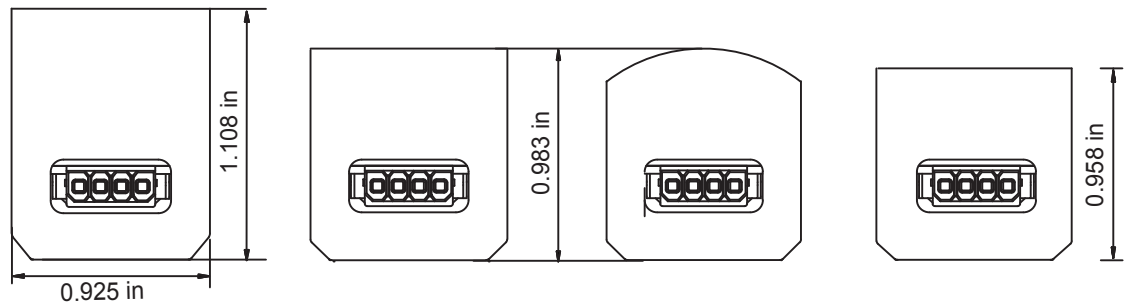
** Available as special order Consult factory for custom CCT and lengths
^Consult voltage drop chart for exact maximum runs

DIMENSIONS

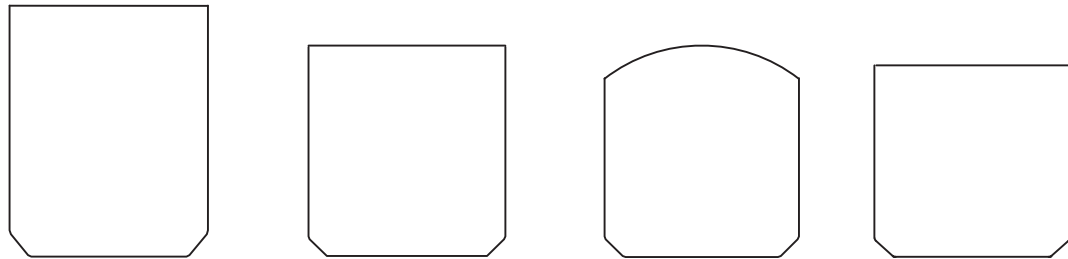
END VIEW



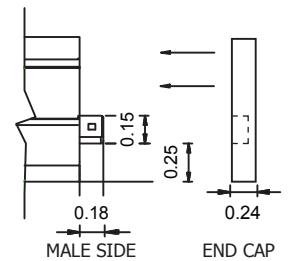
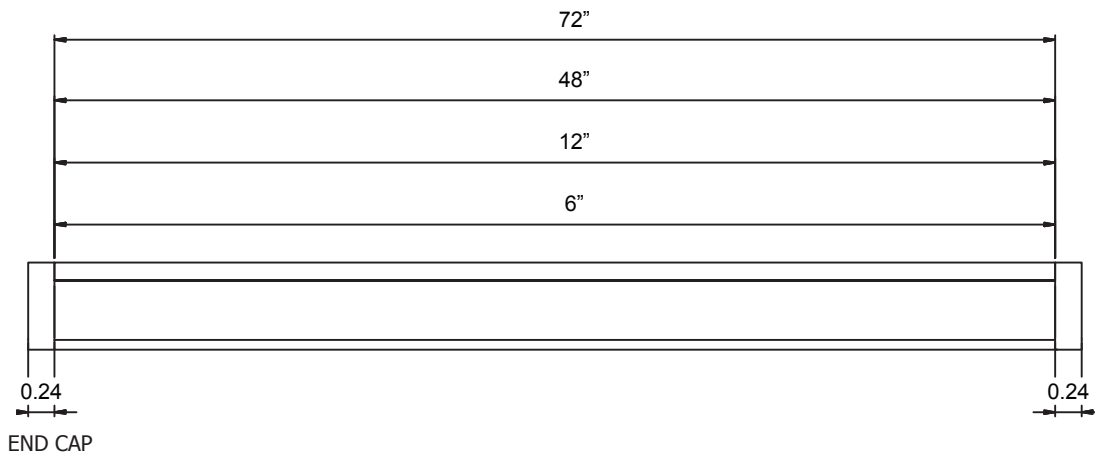
END CAP WITH HOLE FOR LEADER CABLE



BLANK END CAP



SIDE VIEW



SIDE VIEW END CAP